



## Connection cable, shielded

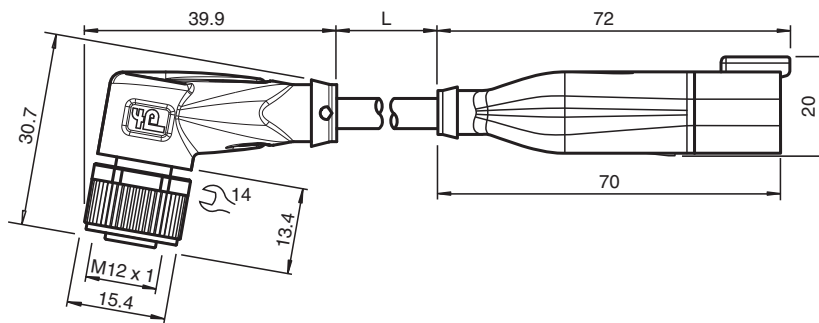
### V15-W-BK0,6M-PUR-O2/CAN-DT4P-Y

- Suitable for outdoor use (UV- and ozone resistant)
- Suitable for CAN applications
- Suitable for drag chains and abrasion resistant
- Degree of protection IP68
- Resistant to microbes and hydrolysis
- Oil resistant
- Resistant to salt water
- Halogen-free
- Specific design protects against loosening and inaccurate installation

DeviceNet/CANOpen bus cable M12 socket angled A-coded 5-pin to Deutsch plug straight 4-pin, PUR cable 4-core twisted pairs black, shielded, drag chain suitable, outdoor



## Dimensions



## Technical Data

### General specifications

Connector 1		
Connection		socket
Construction type		M12
Style		angled
Locking		screw connection
Number of pins		5
Coding		A-coded
Connector 2		
Connection		plug
Construction type		Deutsch connectors
Style		straight
Locking		snap locking
Number of pins		4

### Electrical specifications

Operating voltage	$U_B$	max. 48 V AC / 60 V DC
Operating current	$I_B$	max. 4 A per contact

### Conformity

Degree of protection		EN 60529
----------------------	--	----------

Release date: 2025-02-03 Date of issue: 2025-02-03 Filename: 70188491\_eng.pdf

## Technical Data

Plug connection		connector M12 x 1 : IEC 61076-2-101
Flammability		UL 1581 , IEC 60332-1-2
Halogen-free		IEC 60754-1
Chemical resistance		DIN EN 60811-2-1
Microbial resistance		DIN EN 50525-2-21 / DIN VDE 0282-10
Hydrolysis resistance		DIN EN 50525-2-21
Oil resistance		DIN EN 60811-2-1
<b>Ambient conditions</b>		
Ambient temperature		
Connector 1		-40 ... 90 °C (-40 ... 194 °F)
Connector 2		-40 ... 125 °C (-40 ... 257 °F)
Cable, fixed installation		-50 ... 105 °C (-58 ... 221 °F)
Cable, flexing		-30 ... 105 °C (-22 ... 221 °F)
Pollution degree		3
<b>Mechanical specifications</b>		
Connector 1		
Tightening torque		0.6 Nm
Loosening protection		available
Tool installation		straight knurling and hexagon nut SW = 14 mm
Mating cycles		min. 100
Shielding		shield connected to pin 1 and screw connection
Degree of protection		IP68 / IP69
Connector 2		
Loosening protection		available
Degree of protection		IP68
Cable		
Sheath diameter		6 mm
Bending radius		> 10 x cable diameter, movable installation > 5 x cable diameter, single bend
Sheath stripping force		max. 80 N / 500 mm
Sheath color		black (similar to RAL 9005)
Number of cores		4
Core cross section		0.34 mm <sup>2</sup>
Cores color		Core 2-3: red Core 3-4: black Core 4-1: white Core 5-2: blue
Core construction		19 x 0.15 mm Ø twisted pairs
Shield		tinned copper braiding, 85 % coverage
Length	L	see type code V*-[length]M-*
Cable code		Li 9Y C11Y 2 x 2 x 0,34
Drag chain suitability		
Drag chain cycles		min. 3000000
Motion velocity		max. 2.5 m/s
Traverse distance		0.51 m
Acceleration		max. 12 m/s <sup>2</sup>
Mass		57 g
<b>Material</b>		
PWIS free		yes
Halogen-free		yes
Connector 1		
Screw connection		Zinc diecast, nickel-plated
Body		TPU, black
Seal		FKM

### Technical Data

Contact surface	gold plated (Au)
Flammability	V-2
Connector 2	
Body	PA, black
Contact surface	Ni
Flammability	V-0
Cable	
Sheathing	PUR based on polyether
Cores	bare copper (Cu)
Core insulation	PP
Salt water resistance	yes
Oil resistance	yes
Microbial resistance	yes
Hydrolysis resistance	yes
Flammability	FT2

### Connection Assignment

