

RFID Transponder

IUC86-F251-M-FR1 10pcs

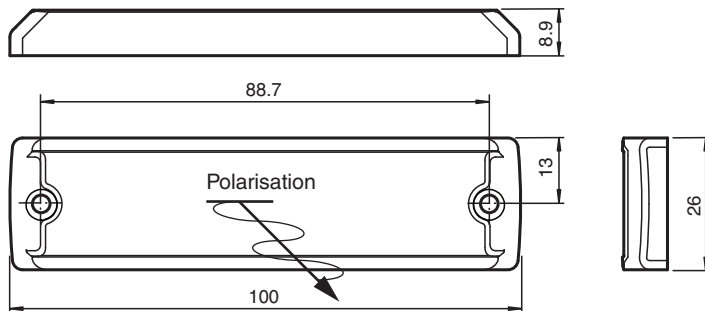


- Operating frequency 865 ... 868 MHz
- Complies with EPC Gen2 (ISO/IEC 18000-63)
- For general purpose applications

Data carrier for standard applications



Dimensions



Technical Data

General specifications	
Operating frequency	865 ... 868 MHz
Polarization	linear
Memory	
Chip Type	M750 (Impinj)
Memory Bank 00 (Reserved)	64 Bit
Memory Bank 01 (EPC/UII)	96 Bit
Memory Bank 10 (TID)	96 Bit
Memory Bank 11 (User memory)	32 Bit
Read cycles	unlimited
Write cycles	100000
Data retention period	10 years
Directive conformity	
Radio equipment	
Directive 2014/53/EU	EN 302208
RoHS	
Directive 2011/65/EU (RoHS)	IEC/EN 63000

Release date: 2025-04-07 Date of issue: 2025-04-07 Filename: 70188751_eng.pdf

Technical Data

Standard conformity

Degree of protection	EN 60529
RFID	ISO/IEC 18000-63

Ambient conditions

Ambient temperature	-40 ... 85 °C (-40 ... 185 °F)
Storage temperature	-40 ... 85 °C (-40 ... 185 °F)
Shock and impact resistance	3 ft (1m) to concrete up to 200 cycles

Mechanical specifications

Degree of protection	IP68
Material	
Housing	Polymer
Installation	
On metal	yes
In air	yes
Mass	17.8 g
Dimensions	
Height	8.9 mm
Width	26 mm
Length	100 mm
Construction type	Rectangular type
Note	Packaging unit, 10-piece

Mounting

High temperatures will cause the housing to expand.
If the housing is assembled under mechanical stress, the resulting pressure may damage the tag.
Install the tag loosely to allow for expansion due to high temperatures.