

AS-Interface splitter box

VAZ-T1-FK-G10-F-2M-PUR-V1-G

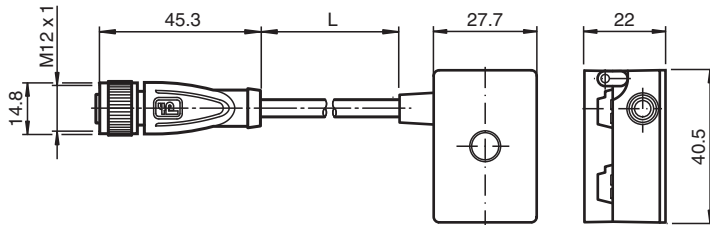


- One piece housing
- Simple and fast mounting
- Fuse with LED display
- Gold-plated and machined contacts
- Oil and abrasion resistant PUR line appropriate for drag chains
- Immunity to vibration
- Degree of protection IP68 / IP69K
- Halogen-free

G10 junction block, LED status indication, AS-Interface to 1x M12 round plug connector



Dimensions



Technical Data

General specifications

Construction type	Socket, straight Flat cable terminal AS-Interface
-------------------	--

Indicators/operating means

LED FAULT	LED red: Fuse unit blown
LED PWR	LED green: normal operation

Electrical specifications

Rated operating voltage	U_e	10 ... 32 V PELV
Protection class		III
Short-circuit current	I_k	max. 50 A
Surge protection		U_e : Over voltage category III, safe isolated power supplies (PELV)

Output

Current loading capacity		Rated current of the fuse: 1.6 A Continuous operation: 1.2 A
Voltage drop	U_d	≤ 0.4 V
Overload protection		Fuse acc. to UL248-1, UL248-14

Compliance with standards and directives

Directive conformity		
EMC Directive 2004/108/EC		EN 61000-6-2:2005, EN 61000-6-4:2007
Standard conformity		
Noise immunity		EN 61000-6-2:2005
Emitted interference		EN 61000-6-4:2007
Degree of protection		EN 60529:2000

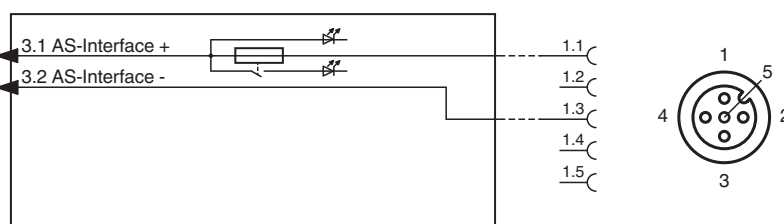
Approvals and certificates

Release date: 2025-07-31 Date of issue: 2025-07-31 Filename: 70195166_eng.pdf

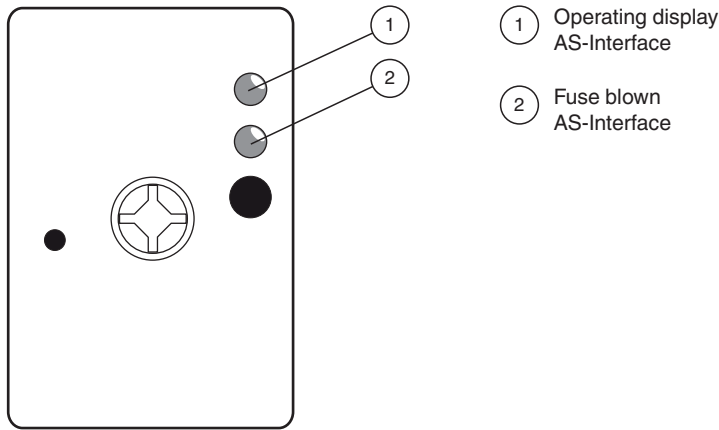
Technical Data

UL approval	cULus Listed, Type 1 enclosure	
Application	for use in NFPA 79 applications	
Maximum permissible operating voltage	max. 32 V	
Maximum permissible operating current	max. 1.6 A	
Maximum permissible ambient temperature	max. 55 °C (max. 131 °F)	
UL File Number	E223772	
Ambient conditions		
Ambient temperature	-25 ... 70 °C (-13 ... 158 °F)	
Storage temperature	-25 ... 85 °C (-13 ... 185 °F)	
Mechanical specifications		
Degree of protection	IP67 IP67 / IP68 / IP69K with flat cable VAZ-FK-S-*	
Connection	Flat cable AS-Interface: cable piercing method Plug connection: M12 x 1 socket (V1)	
Material		
Contacts	CuSn / Au	
Housing	PBT PC	
Body	PUR, black	
Cable	PUR	
Mounting screw	Stainless steel 1.4305 / AISI 303	
Cable		
Sheath diameter	Ø4,3 mm	
Color	black	
Cores	2 x 0.34 mm ²	
Length	L	2 m
Mass	100 g	
Tightening torque, fastening screws	1.65 Nm	
Tightening torque, cable gland	0.4 Nm	
Dimensions		
Height	22 mm	
Width	27.7 mm	
Length	40.5 mm	
Note	The unused flat cable connector is closed with a seal.	

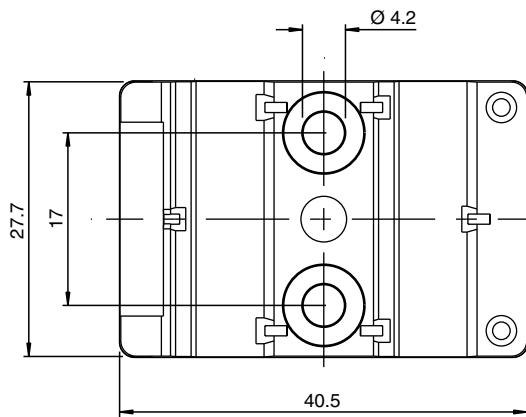
Connection



Assembly



Mounting



You may screw the device onto a level mounting surface using two M4 attachment screws. The attachment screws are not included.