



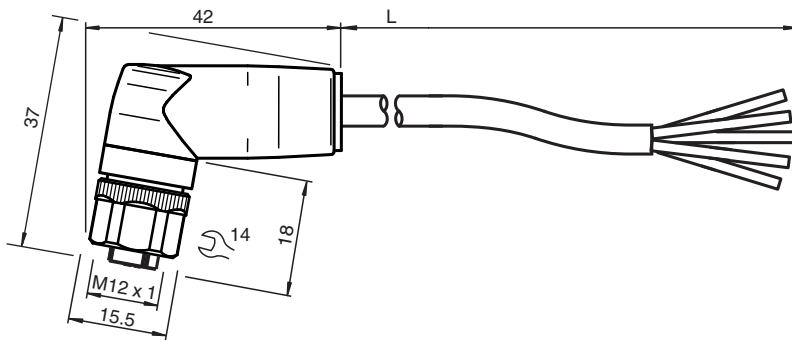
Female cordset V15L-W-5M-PUR-U7

- Degree of protection IP65 / IP67 / IP69
- Free of paint wetting interfering substances
- UL listed for USA and Canada
- Halogen-free
- 600 V AC rated insulation voltage
- Screw connection suitable for tool assembly

Connection cable with socket M12 angled L-coded 5-pin, PUR cable grey, UL approved, drag chain suitable, torsion resistant



Dimensions



Technical Data

General specifications

Connector 1	
Connection	socket
Construction type	M12
Style	angled
Locking	screw connection
Number of pins	5
Coding	L-coded
Connector 2	
Connection	cable end

Electrical specifications

Operating voltage	U_B	max. 48 V AC / 63 V DC
Operating current	I_B	max. 16 A
Rated insulation voltage		600 V AC

Conformity

Degree of protection	EN 60529
Plug connection	connector M12 x 1 : IEC 61076-2-111
Flammability	IEC 60332-2-2
Halogen-free	DIN VDE 0472-815
Oil resistance	DIN EN 60811-404

Release date: 2025-07-18 Date of issue: 2025-07-18 Filename: 70195774_eng.pdf

Technical Data

Approvals and certificates

UL approval	AWM STYLE 20549 AWM I/II A/B 80°C 300V FT2 (cable)
UL File Number	E520151

Ambient conditions

Ambient temperature	
Plug connector	-40 ... 125 °C (-40 ... 257 °F) note derating
Cable, fixed installation	-40 ... 90 °C (-40 ... 194 °F) UL -40 ... 80 °C (-40 ... 176 °F)
Cable, flexing	-30 ... 90 °C (-22 ... 194 °F) UL -30 ... 80 °C (-22 ... 176 °F)
Pollution degree	3

Mechanical specifications

Plug connector	
Tightening torque	0.6 Nm
Tool installation	straight knurling and hexagon nut SW = 14 mm
Mating cycles	min. 100
Degree of protection	IP65 / IP67 / IP69
Cable	according to IEC/EN 60228 (DIN VDE 0295) class 5
Sheath diameter	7.8 mm
Bending radius	> 7.5 x cable diameter, movable installation > 4 x cable diameter, fixed installation
Sheath color	grey (similar to RAL 7032)
Number of cores	5
Core cross section	1.5 mm ²
Cores color	Core 1: brown Core 2: white Core 3: blue Core 4: black Core 5: pink
Core construction	30 x 0.25 mm Ø
Length	L 5 m
Cable code	Li 9Y 11Y 5 x 1,50

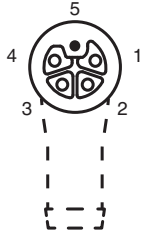
Drag chain suitability

Test temperature	-20 ... 60 °C (-4 ... 140 °F)
Drag chain cycles	min. 5000000
Motion velocity	max. 5 m/s
Traverse distance	max. 5 m
Acceleration	max. 50 m/s ²
Torsion cycles	min. 2000000
Torsional stress	± 30 °/m

Material

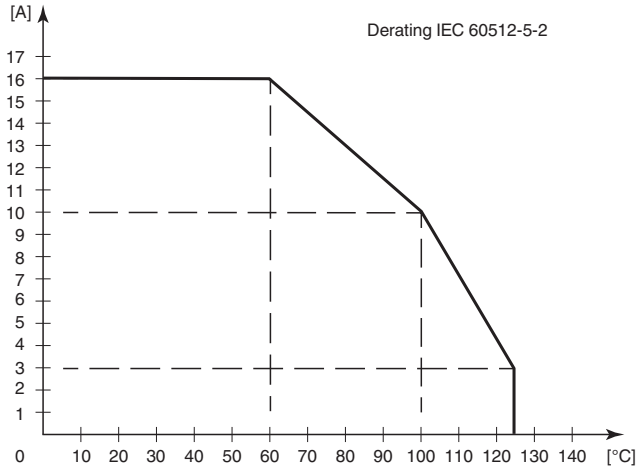
PWIS free	yes
Halogen-free	yes
Plug connector	
Screw connection	Zinc diecast, nickel-plated
Body	TPE, black
Seal	FKM
Contact surface	Cu/Au
Flammability	HB
Cable	
Sheathing	PUR
Cores	bare copper (Cu)
Core insulation	PP
Oil resistance	yes
Flammability	FT2

Connection Assignment



1	⌋	-----	BN
2	⌋	-----	WH
3	⌋	-----	BU
4	⌋	-----	BK
5	■	-----	PK

Characteristic Curve



Release date: 2025-07-18 Date of issue: 2025-07-18 Filename: 70195774_eng.pdf