



Connection cable

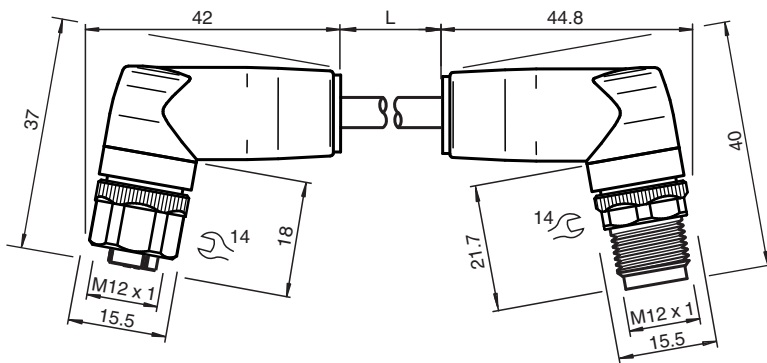
V15L-W-1M-PUR-U7-V15L-W

- Degree of protection IP65 / IP67 / IP69
- Free of paint wetting interfering substances
- UL listed for USA and Canada
- Halogen-free
- 600 V AC rated insulation voltage
- Screw connection suitable for tool assembly

Cordset M12 socket angled to M12 plug angled L-coded, 5-pin, PUR cable grey, UL approved, drag chain suitable, torsion resistant



Dimensions



Technical Data

General specifications

Connector 1		
Connection		socket
Construction type		M12
Style		angled
Locking		screw connection
Number of pins		5
Coding		L-coded
Connector 2		
Connection		plug
Construction type		M12
Style		angled
Locking		screw connection
Number of pins		5
Coding		L-coded

Electrical specifications

Operating voltage	U_B	max. 48 V AC / 63 V DC
Operating current	I_B	max. 16 A
Rated insulation voltage		600 V AC

Conformity

Release date: 2025-07-18 Date of issue: 2025-07-18 Filename: 70195778_eng.pdf

Technical Data

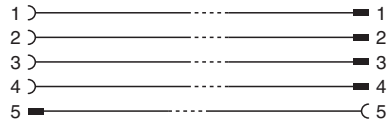
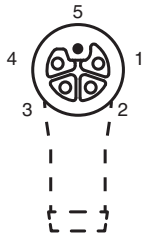
Degree of protection		EN 60529
Plug connection		connector M12 x 1 : IEC 61076-2-111
Flammability		IEC 60332-2-2
Halogen-free		DIN VDE 0472-815
Oil resistance		DIN EN 60811-404
Approvals and certificates		
UL approval		AWM STYLE 20549 AWM I/II A/B 80°C 300V FT2 (cable)
UL File Number		E520151
Ambient conditions		
Ambient temperature		
Plug connector		-40 ... 125 °C (-40 ... 257 °F) note derating
Cable, fixed installation		-40 ... 90 °C (-40 ... 194 °F) UL -40 ... 80 °C (-40 ... 176 °F)
Cable, flexing		-30 ... 90 °C (-22 ... 194 °F) UL -30 ... 80 °C (-22 ... 176 °F)
Pollution degree		3
Mechanical specifications		
Plug connector		
Tightening torque		0.6 Nm
Tool installation		straight knurling and hexagon nut SW = 14 mm
Mating cycles		min. 100
Degree of protection		IP65 / IP67 / IP69
Cable		
Sheath diameter		7.8 mm
Bending radius		> 7.5 x cable diameter, movable installation > 4 x cable diameter, fixed installation
Sheath color		grey (similar to RAL 7032)
Number of cores		5
Core cross section		1.5 mm ²
Cores color		Core 1: brown Core 2: white Core 3: blue Core 4: black Core 5: pink
Core construction		30 x 0.25 mm Ø
Length	L	1 m
Cable code		Li 9Y 11Y 5 x 1,50
Drag chain suitability		
Test temperature		-20 ... 60 °C (-4 ... 140 °F)
Drag chain cycles		min. 5000000
Motion velocity		max. 5 m/s
Traverse distance		max. 5 m
Acceleration		max. 50 m/s ²
Torsion cycles		min. 2000000
Torsional stress		± 30 °/m
Material		
PWIS free		yes
Halogen-free		yes
Plug connector		
Screw connection		Zinc diecast, nickel-plated
Body		TPE, black
Seal		FKM
Contact surface		Cu/Au
Flammability		HB
Cable		
Sheathing		PUR
Cores		bare copper (Cu)

Release date: 2025-07-18 Date of issue: 2025-07-18 Filename: 70195778_eng.pdf

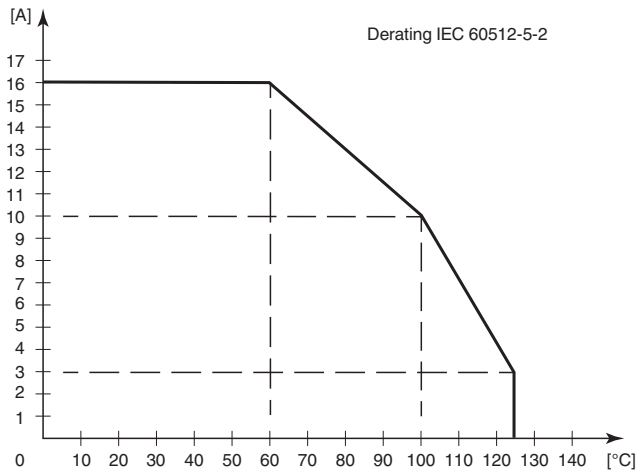
Technical Data

Core insulation	PP
Oil resistance	yes
Flammability	FT2

Connection Assignment



Characteristic Curve



Release date: 2025-07-18 Date of issue: 2025-07-18 Filename: 70195778_eng.pdf