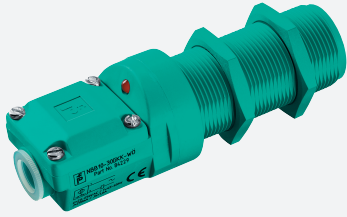


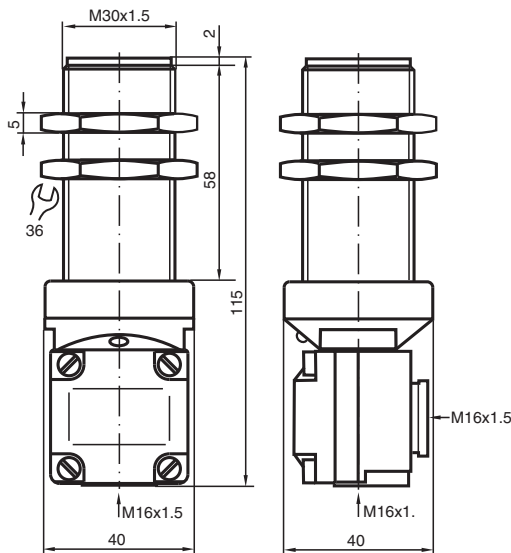
# Inductive sensor NBB10-30GKK-WS



■ 10 mm flush



## Dimensions



## Technical Data

### General specifications

Switching function		Normally open (NO)
Output type		Two-wire
Rated operating distance	$s_n$	10 mm
Installation		flush
Output polarity		AC
Assured operating distance	$s_a$	0 ... 8.1 mm
Reduction factor $r_{Al}$		0.33
Reduction factor $r_{Cu}$		0.28
Reduction factor $r_{304}$		0.82
Output type		2-wire

### Nominal ratings

Operating voltage	$U_B$	20 ... 250 V
Switching frequency	$f$	0 ... 20 Hz

Release date: 2025-06-06 Date of issue: 2025-06-06 Filename: 802847\_eng.pdf

## Technical Data

Hysteresis	H	typ. 5 %
Short-circuit protection		no
Voltage drop	$U_d$	$\leq 8$ V
Momentary current (20 ms, 0.1 Hz)		0 ... 1600 mA
Operating current	$I_L$	1.5 ... 200 mA
No-load supply current	$I_0$	$\leq 1.7$ mA
Time delay before availability	$t_v$	$\leq 20$ ms
<b>Compliance with standards and directives</b>		
Standard conformity		
Standards		EN IEC 60947-5-2
<b>Approvals and certificates</b>		
UL approval		cULus Listed, General Purpose
CSA approval		cCSAus Listed, General Purpose
CCC approval		Certified by China Compulsory Certification (CCC)
<b>Ambient conditions</b>		
Ambient temperature		-25 ... 70 °C (-13 ... 158 °F)
<b>Mechanical specifications</b>		
Connection type		terminal compartment
Core cross section		up to 2.5 mm <sup>2</sup>
Housing material		PBT
Sensing face		PBT
Degree of protection		IP67
Dimensions		
Length		115 mm
Diameter		30 mm
Note		1) In the temperature range below 0 °C, permissible operating voltage $U_b$ 80...253 V Safety fuse $\leq 0.8$ A (quick-blow) according to IEC 60127-2 Sheet 1 Recommendation: after a short circuit, check that the device is functioning correctly.

## Connection

