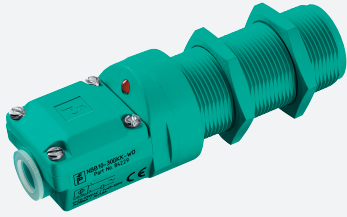


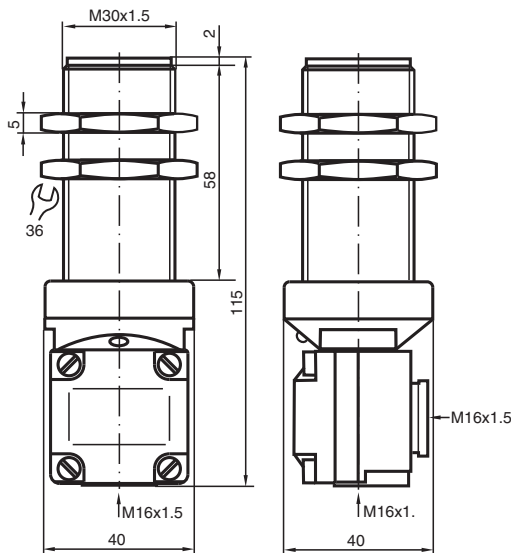
Inductive sensor NBB15-30GKK-WO



■ 15 mm flush



Dimensions



Technical Data

General specifications

Switching function		Normally closed (NC)
Output type		Two-wire
Rated operating distance	s_n	15 mm
Installation		flush
Output polarity		AC
Assured operating distance	s_a	0 ... 12.15 mm
Reduction factor r_{AI}		0.33
Reduction factor r_{Cu}		0.28
Reduction factor r_{304}		0.82
Output type		2-wire

Nominal ratings

Operating voltage	U_B	20 ... 250 V
Switching frequency	f	0 ... 20 Hz

Release date: 2025-06-05 Date of issue: 2025-06-05 Filename: 802848_eng.pdf

Technical Data

Hysteresis	H	typ. 5 %
Short-circuit protection		no
Voltage drop	U_d	≤ 8 V
Momentary current (20 ms, 0.1 Hz)		0 ... 1600 mA
Operating current	I_L	1.5 ... 200 mA
No-load supply current	I_0	≤ 1.7 mA
Time delay before availability	t_v	≤ 20 ms
Compliance with standards and directives		
Standard conformity		
Standards		EN IEC 60947-5-2
Approvals and certificates		
UL approval		cULus Listed, General Purpose
CSA approval		cCSAus Listed, General Purpose
CCC approval		Certified by China Compulsory Certification (CCC)
Ambient conditions		
Ambient temperature		-25 ... 70 °C (-13 ... 158 °F)
Mechanical specifications		
Connection type		terminal compartment
Core cross section		up to 2.5 mm ²
Housing material		PBT
Sensing face		PBT
Degree of protection		IP67
Dimensions		
Length		115 mm
Diameter		30 mm
Note		1) In the temperature range below 0 °C, permissible operating voltage U_b 80...253 V Safety fuse ≤ 0.3 A (quick-blow) according to IEC 60127-2 Sheet 1 Recommendation: after a short circuit, check that the device is functioning correctly.

Connection

