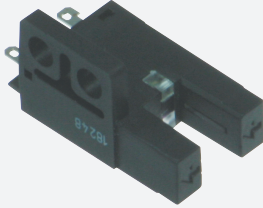


Photoelectric slot sensor

GL5-R/43a/155



- Miniature design
- Optimized for the detection of small parts
- High switching frequency
- Simple and fast mounting
- Clearly visible LED functional display

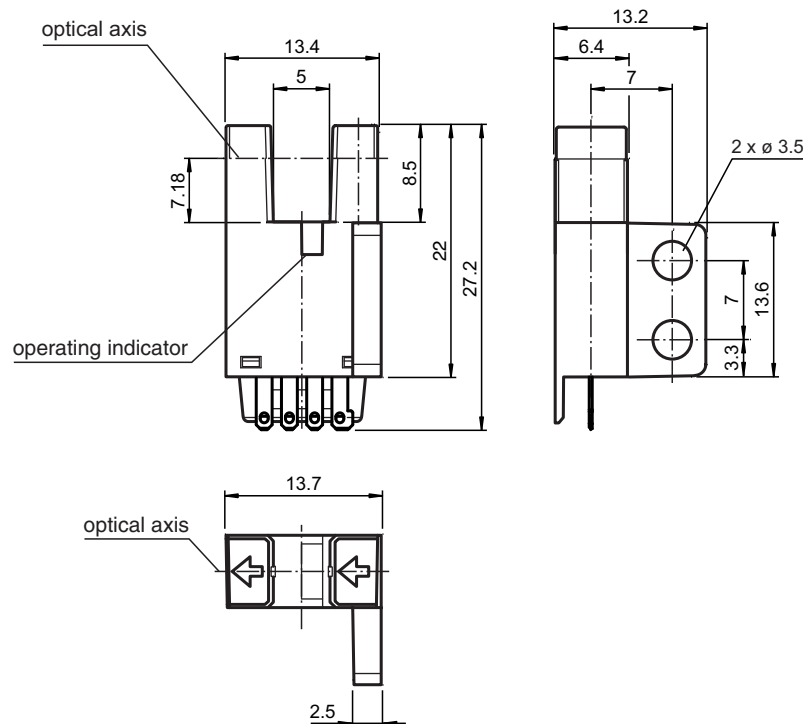
Miniature photoelectric slot sensor for the detection of small parts, R design, fork width 5 mm, infrared light, PNP outputs, flat connector



Function

The GL5 miniature slot sensor compares a high optical performance in a small housing and is optimized to the requirements in semiconductors industry for small part detection. A wide voltage range of 5 - 24 V DC and the fastest switching frequency of 5 kHz in its class stands for the quality of this sensor. The integrated aperture allows the small part detection with a minimum object size of 0.8 x 1.8 mm. The sensor offers antivalent npn or pnp outputs. Due to a variety of different housings and an optimized housing concept offers the sensor a maximum of freedom in a crowded mounting environment.

Dimensions

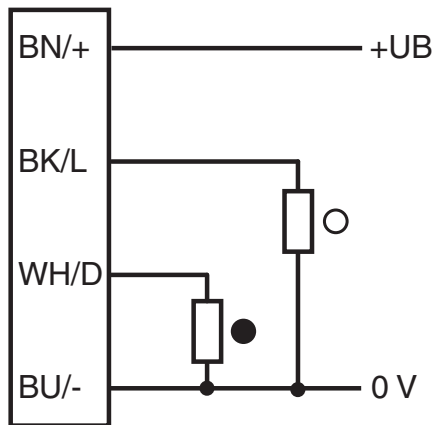


Release date: 2023-04-04 Date of issue: 2023-04-04 Filename: 806124_eng.pdf

Technical Data


General specifications		
Light source		IRED
Light type		Infrared, continuous light , 940 nm
Target size		0.8 x 1.8 mm
Slot width		5 mm
Slot depth		8.5 mm
Ambient light limit		1000 Lux
Functional safety related parameters		
MTTF _d		3760 a
Mission Time (T _M)		20 a
Diagnostic Coverage (DC)		0 %
Indicators/operating means		
Function indicator		red LED lights up when receiving the light beam
Electrical specifications		
Operating voltage	U _B	5 ... 24 V DC , class 2
No-load supply current	I ₀	max. 20 mA
Time delay before availability	t _v	< 2 ms
Output		
Switching type		light/dark on
Signal output		2 PNP complementary , overvoltage protected
Switching voltage		max. 30 V DC
Switching current		max. 50 mA , resistive load
Voltage drop	U _d	max. 0.2 V at 10 mA max. 0.6 V at 50 mA
Switching frequency	f	max. 5 kHz
Response time		40 μs Light beam is not interrupted 80 μs Light beam is interrupted
Repeat accuracy	R	0.03 mm
Compliance with standards and directives		
Directive conformity		
EMC Directive 2004/108/EC		EN 60947-5-2:2007+A1:2012
Standard conformity		
Standards		UL 60947-5-2
Approvals and certificates		
UL approval		cULus Recognized, Class 2 Power Source
CCC approval		CCC approval / marking not required for products rated ≤36 V
Ambient conditions		
Ambient temperature		-25 ... 55 °C (-13 ... 131 °F)
Storage temperature		-30 ... 80 °C (-22 ... 176 °F)
Pollution degree		2
Mechanical specifications		
Housing width		13.2 mm
Housing height		13.4 mm
Degree of protection		IP50
Connection		4-pin flat connector
Material		
Housing		PBT
Mass		3 g
Tightening torque, fastening screws		0.6 Nm

Connection Assignment



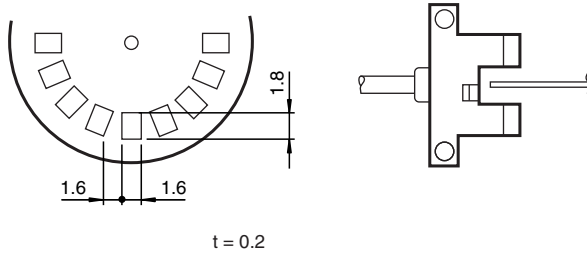
○ = Light on
● = Dark on

Accessories

	CBL SET GL5	Connection cable for GL5 series
---	--------------------	---------------------------------

Response frequency

The response frequency is the value when the disc, given in the figure below, is rotated.



Applications

The GL5 is suited for applications in the semiconductor and electronic industrial environment.

Typical applications include:

1. Detection of lead frames
2. Detection of cam positions
3. Detection of limit positions of moving objects
4. Position detection of wafer cases