



### Model Number

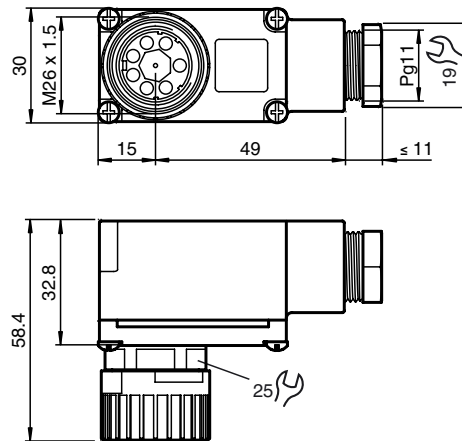
#### V7-W

Cable socket, 6-pin+PE, ready for assembly

### Features

- Transparent hood

### Dimensions



### Technical data

#### General specifications

Number of poles	6 + PE
Connection 1	Connector, female
Construction type 1	angled
Colour	grey

#### Electrical specifications

Operating voltage	$U_B$	max. 253 V AC/DC
Operating current		max. 10 A
Volume resistance		< 5 m $\Omega$

#### Ambient conditions

Ambient temperature	-40 ... 90 °C (233 ... 363 K)
	Note derating

#### Mechanical specifications

Contact elements	spring-loaded contact socket
Protection degree	IP65
Connection	screw terminals 0,5 ... 1.5 mm <sup>2</sup> PG11 screwed gland

#### Material

Contacts	CuZn
Contact surface	Ag
Housing	PA 6 GF30 cover PA T
Handle	PET
Slotted nut	PA 66
Seal	NBR
Fixing screw	PA 6 GF

#### Cable

Sheath diameter	7 mm ... 9 mm
Flammability	Enclosure: UL 94 HB contact holder: UL 94 V-0 cover: UL 94 HB pressure screw: UL 94 HB union nut UL 94 V-2

#### Compliance with standards and directives

Standard conformity	
Insulation coordination	DIN EN 60664-1
Protection degree	IEC 60529
Standards	Design standard DIN EN 175201-804

### Electrical connection

