



Photoelectric slot sensor

GL-ES-IR/115/120

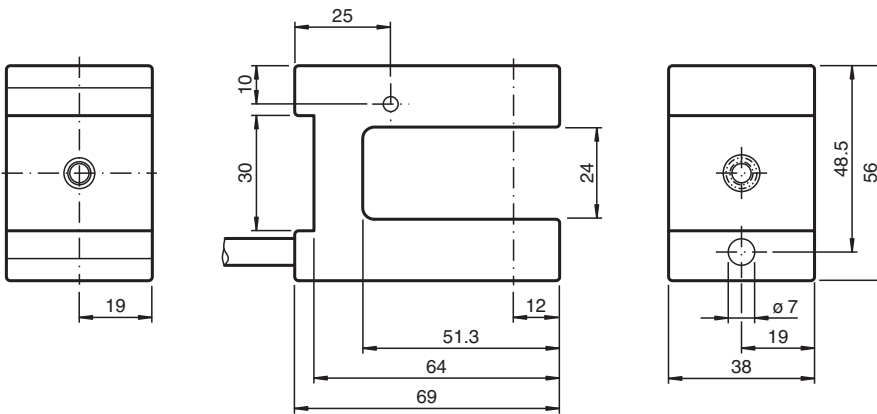


- Infrared light source
- Not sensitive to ambient light
- High switching frequency
- Robust and insensitive to ambient interference
- Tolerant to supply voltage variations up to 60 V DC

Photoelectric slot sensor



Dimensions



Technical Data

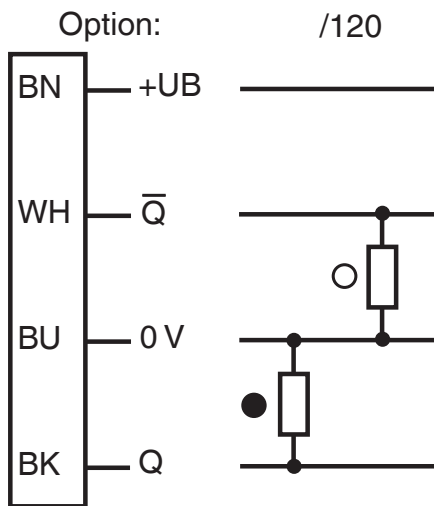
General specifications		
Sensing range		0 ... 24 mm
Light source		LED
Light type		infrared , 950 nm
Tests		EN 60947-5-2
Marking		CE
Slot width		24 mm
Slot depth		24 mm
Ambient light limit		halogen light 100000 Lux ; according to EN 60947-5-2:2007
Indicators/operating means		
Operation indicator		LED red
Electrical specifications		
Operating voltage	U_B	10 ... 30 V DC
Ripple		10 %
No-load supply current	I_0	< 30 mA
Time delay before availability	t_v	≤ 10 ms
Output		

Release date: 2024-11-20 Date of issue: 2024-11-20 Filename: 808313_eng.pdf

Technical Data

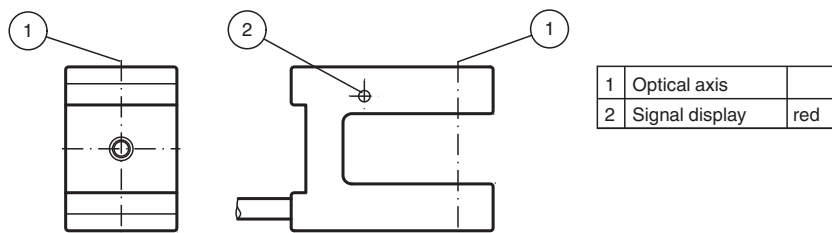
Switching type	light/dark on	
Signal output	2 PNP complementary , Reverse polarity protection , open collectors	
Switching voltage	max. 30 V DC	
Switching current	max. 100 mA	
Voltage drop	U_d	≤ 2 V
Switching frequency	f	100 Hz
Response time	5 ms	
Conformity		
Product standard	EN 60947-5-2	
Ambient conditions		
Ambient temperature	-25 ... 55 °C (-13 ... 131 °F)	
Storage temperature	-30 ... 70 °C (-22 ... 158 °F)	
Mechanical specifications		
Degree of protection	IP67	
Connection	2 m fixed cable	
Material		
Housing	PPO	
Optical face	PC	

Connection Assignment



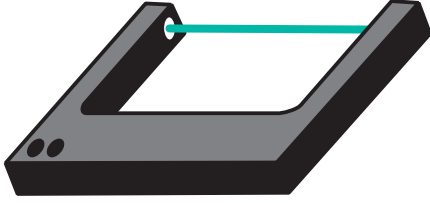
○ = Light on
● = Dark on

Assembly



Release date: 2024-11-20 Date of issue: 2024-11-20 Filename: 808313_eng.pdf

Application



Safety Information

Safety Instructions:

- Read the operating instructions before commissioning
- Installation, connection and adjustments should only be undertaken by qualified personnel
- No safety component according to EU Machinery Directive, may not be used for personal protection or EMERGENCY STOP function.