

## Thru-beam sensor

BB10-P/25/33/76b/102/115-7m



- Single-beam miniature photoelectric sensor, ideal for installing in frames or contours
- Integrated circuit
- Plug-in style housing for 13 mm hole
- Narrow opening angle, suitable for mounting in pairs
- Light on version
- Version with test input

Miniature photoelectric sensor with plug-in style housing for mounting in 13 mm hole



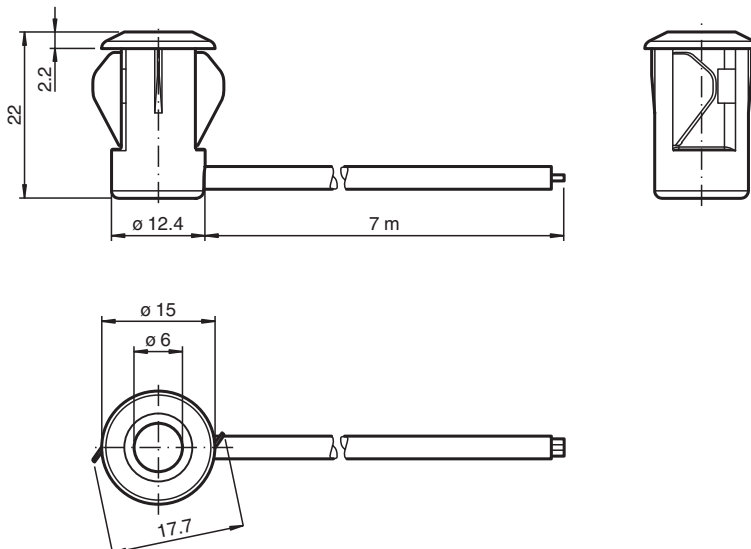
### Function

There is no simpler way of installing a sensor: drill the hole, clip in the sensor and you're done. What's more, the BB10 plug-in sensors for doors and turnstiles offer top performance at an extremely attractive price. The switching mechanism is integrated in the compact, self-contained and temperature-stable housing, making the BB10 suitable even for extremely cold regions with temperatures as low as -40°C.

### Application

- Monitoring function for turnstiles
- Activation function for restarting escalators
- Monitoring of industrial gates
- Person detection for automatic doors and gates

### Dimensions



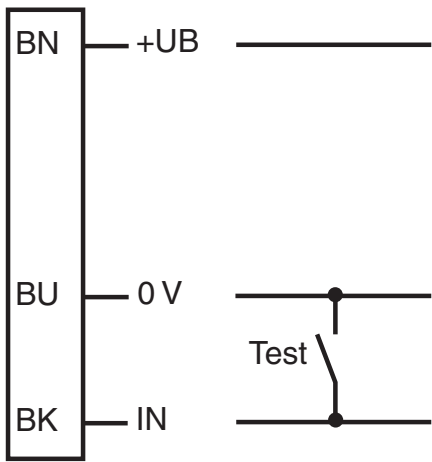
Release date: 2023-05-09 Date of issue: 2023-05-09 Filename: 809328\_eng.pdf

## Technical Data

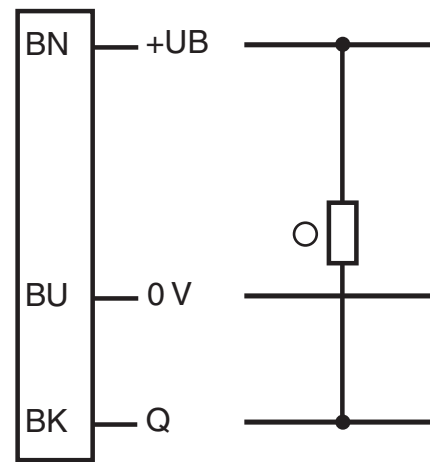
<b>System components</b>			
Emitter		BB10-T/33/76b/115-7m	
Receiver		BB10-R/25/33/102/115-7m	
<b>General specifications</b>			
Effective detection range		0 ... 6 m	
Threshold detection range		8 m	
Light source		IRED	
Light type		modulated infrared light , 880 nm	
Diameter of the light spot		approx. 1300 mm at a distance of 6 m	
Opening angle		Emitter: +/- 8 ° Receiver: +/- 10 °	
Optical face		frontal	
Ambient light limit		halogen light 100000 Lux ; according to EN 60947-5-2:2007	
<b>Functional safety related parameters</b>			
MTTF <sub>d</sub>		795 a	
Mission Time (T <sub>M</sub> )		20 a	
Diagnostic Coverage (DC)		0 %	
<b>Indicators/operating means</b>			
Function indicator		LED red: lights up when receiving the light beam ; flashes when falling short of the operating reserve; OFF when light beam is interrupted	
<b>Electrical specifications</b>			
Operating voltage	U <sub>B</sub>	10 ... 30 V DC	
No-load supply current	I <sub>0</sub>	Emitter: ≤ 20 mA Receiver: ≤ 10 mA	
<b>Input</b>			
Test input		emitter deactivation at 0 V	
<b>Output</b>			
Switching type		light-on	
Signal output		1 NPN output, short-circuit protected, reverse polarity protected, open collector	
Switching voltage		max. 30 V DC	
Switching current		max. 100 mA	
Voltage drop	U <sub>d</sub>	≤ 1.5 V DC	
Switching frequency	f	62.5 Hz	
Response time		8 ms	
<b>Conformity</b>			
Product standard		EN 60947-5-2	
<b>Approvals and certificates</b>			
CCC approval		CCC approval / marking not required for products rated ≤36 V	
UN/ECE Regulation No. 10 (E1)		Type-approval number: 036938	
<b>Ambient conditions</b>			
Ambient temperature		-40 ... 60 °C (-40 ... 140 °F) , fixed -20 ... 60 °C (-4 ... 140 °F) , movable	
Storage temperature		-40 ... 70 °C (-40 ... 158 °F)	
Relative humidity		90 % , noncondensing	
<b>Mechanical specifications</b>			
Degree of protection		IP67	
Connection		7 m fixed cable Receiver: grey ; Emitter: black	
<b>Material</b>			
Housing		PC , black	
Optical face		Plastic pane	
Mass		approx. 100 g per device	

**Connection Assignment**

**Transmitter**



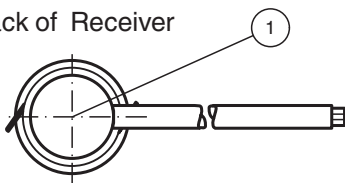
**Receiver**



○ = Light on  
● = Dark on

**Assembly**

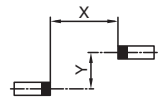
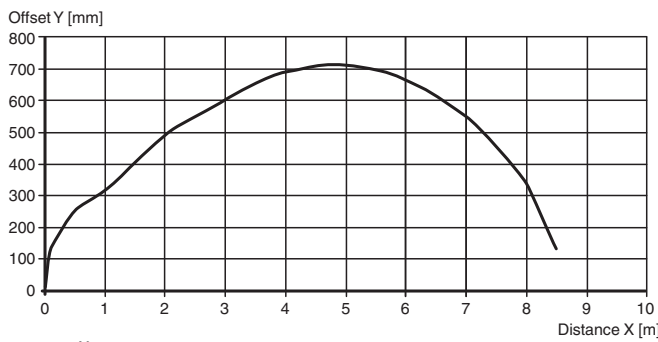
Back of Receiver



1	Signal display	red
---	----------------	-----

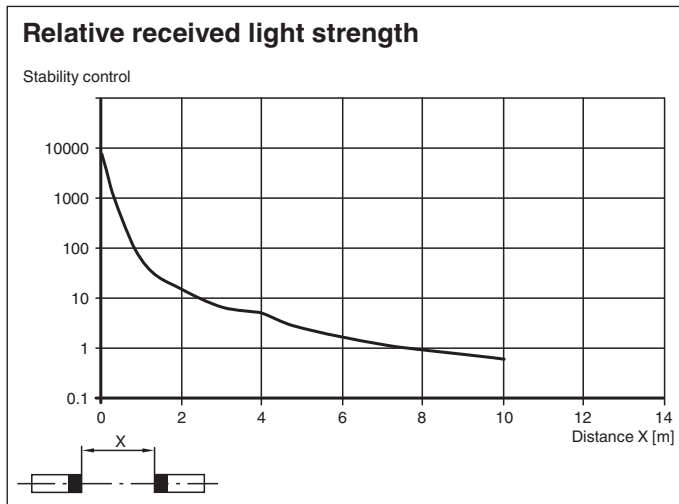
**Characteristic Curve**

**Characteristic response curve**



Release date: 2023-05-09 Date of issue: 2023-05-09 Filename: 809328\_eng.pdf

## Characteristic Curve



## Function Principle

The thru-beam sensor requires two devices for operation; an emitter and a receiver. The emitter and receiver must be optically aligned with one another in a single line. The infrared light emitted from the emitter is recorded by the receiver and evaluated. The sensor detects both people and objects for as long as an object interrupts the detection beam, regardless of movement and surface structure.

**Additional Information**

**Function:**

The Series BB10 thru-beam sensor requires a pair of devices for operation, comprising a light transmitter and a light receiver. The transmitter and receiver must be arranged in optical alignment with each other. The infrared light from the transmitter is detected by the receiver and evaluated.

**Static detection:**

The thru-beam sensor detects persons and objects independently of movement and surface structure for as long as the object breaks the detection beam.

		Electronic output
Light detection /25	Person in the beam	Inactive
	No person in the beam	Active
Dark detection /59	Person in the beam	Active
	No person in the beam	Inactive

**Installation:**

Thanks to its small dimensions, the light beam can be fitted in a U-profile or behind a face panel.

Sheet thickness [mm]	Hole diameter [mm]	
	13	13.5
1	OK	X
2	OK	OK
3	OK	OK

X = Mounting not possible

OK = Mounting possible

**Installation of twin-beam arrangement:**

A twin-beam version requires 2 transmitters and receivers.

When using thru-beam sensors with the same transmission frequency:

Ensure that the minimum beam distance is 20 cm and that the light source and receiver are arranged in a cross formation.

