

CE

Model Number

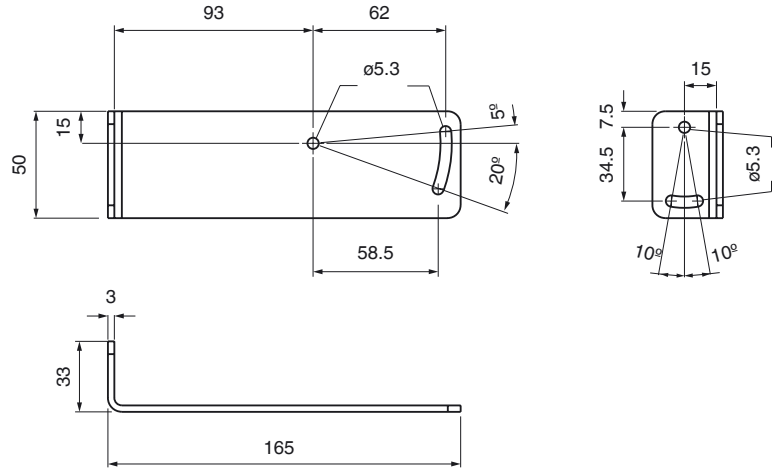
OMH-21-T

High-Profile Right-Angled Mounting Bracket

Features

- Mounting bracket

Dimensions



Technical data

Mechanical specifications

Material Stainless steel 1.4305 / AISI 303