

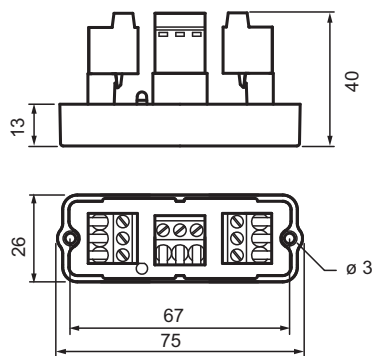
Segment Protector for Cabinet Installation

VAZ-RK-P-TEE

- Protected single drop Tee for AS-Interface
- LED status indication

AS-Interface one port segment protector

Dimensions



Technical Data

General specifications

Description AS-Interface one port segment protector

Indicators/operating means

LED Overload Led red: Output overloaded or shorted

Electrical specifications

Rated operating voltage U_e 26.5 ... 31.6 V from AS-Interface

Rated operating current I_e 8 A

Maximum safe voltage U_m 35 V

Interface

Protocol AS-Interface

Output

Number/Type 1/protected drop connection for 1 AS-I node

Current limit 28 mA (output off)
240 mA (output on)

Voltage drop U_d < 1 V

Short-circuit current max. 28 mA

Ambient conditions

Ambient temperature -40 ... 85 °C (-40 ... 185 °F)

Storage temperature -40 ... 85 °C (-40 ... 185 °F)

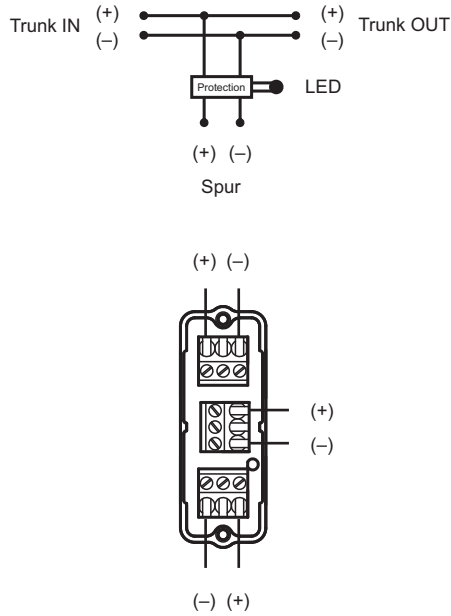
Mechanical specifications

Release date: 2021-08-26 Date of issue: 2021-08-26 Filename: 904191_eng.pdf

Technical Data

Degree of protection	IP20
Connection	terminals: trunk in, trunk out and 1 drop

Connection



Connection

Only one AS-Interface module may be operated in a protected AS-Interface segment. For correct operation, the current consumption of the module including all connected and activated inputs must not exceed 28 mA.