



### Model Number

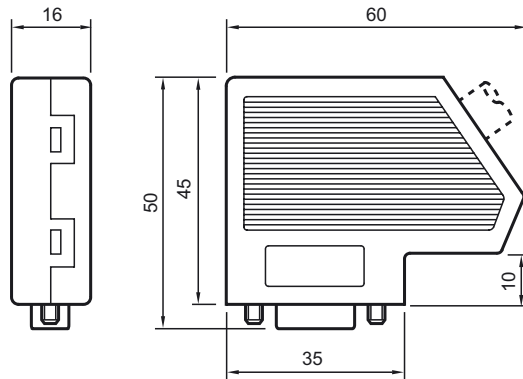
**VAZ-PB-DB9-W**

PROFIBUS Sub-D Connector with switchable terminal resistance

### Features

- Angled cable outlet alternatively right/ left
- Integrated, switchable bus terminal resistor

### Dimensions



### Technical data

#### Electrical specifications

Rated operating voltage	$U_e$	60 V AC
Rated operating current	$I_e$	1 A

#### Interface

Protocol	PROFIBUS
Transfer rate	max. 12 MBit/s

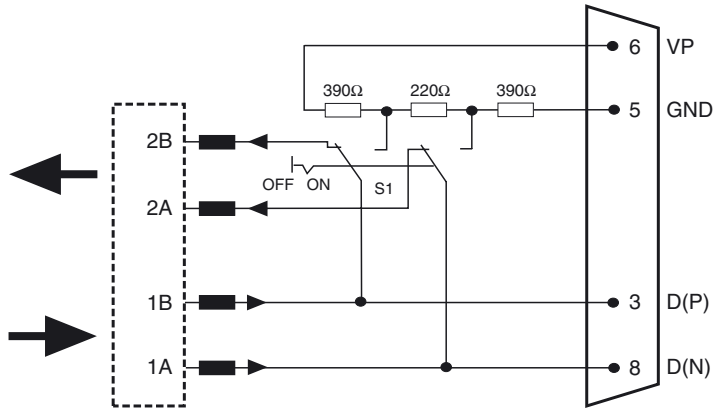
#### Ambient conditions

Ambient temperature	-20 ... 75 °C (-4 ... 167 °F)
Storage temperature	-25 ... 80 °C (-13 ... 176 °F)

#### Mechanical specifications

Core cross-section	0.12 mm <sup>2</sup> to ≤ 0.5 mm <sup>2</sup> solid
Protection degree	IP40
Connection	9-pin Sub-D connector (pins)
Material	
Housing	metallized ABS
Cable	
Sheath diameter	7.6 mm ... 8.4 mm

## Electrical connection



## Note



The VAZ-PB-DB9-W quick-connect plug is specially designed for use in PROFIBUS systems up to 12 Mbit/s. It facilitates the quick and convenient connection of the incoming and ongoing bus cable under field conditions.

The plug connector can be used with Profibus cable with a rigid copper conductor or with a flexible copper conductor.

The terminal resistor is already integrated and can be brought into circuit externally via a slide switch. The ongoing bus segment is simultaneously disconnected. This simplifies segment-wise commissioning and avoids incorrect terminations.

Also, the high-quality screened connector housing ensures high interference immunity even at the maximum transfer rate.

A special feature of the angled connector design is the reversibility of the internal terminal unit. This enables the decision to be made on site as to whether the cable should be fed in from the right or the left.

The connectors are designed for all standard PROFIBUS cable with an outside diameter of 8 mm.