

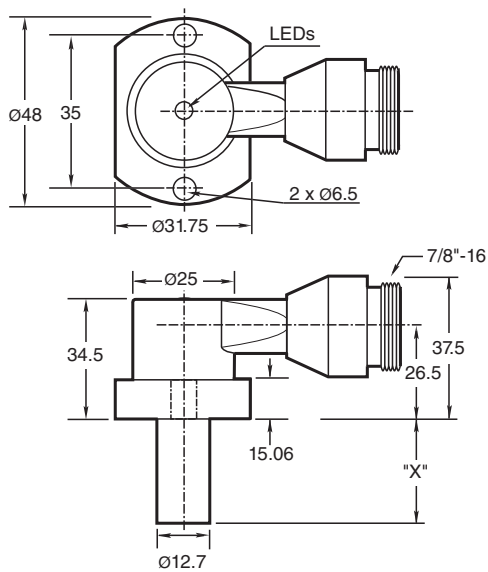
## Inductive sensor NJ1.5-PD-E02-1.250-V95

- 4-wire DC
- Weld Immune
- Sensing range 1.5 mm
- 3000 psi rating

Proximity sensor



### Dimensions



### Technical Data

#### General specifications

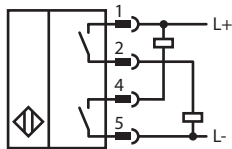
Switching function		Normally open (NO)
Output type		PNP/NPN
Rated operating distance	$s_n$	1.5 mm
Installation		flush
Output polarity		DC
Assured operating distance	$s_a$	0 ... 1.21 mm
Reduction factor $r_{AI}$		0.4

Release date: 2024-10-17 Date of issue: 2024-10-17 Filename: 904455\_eng.pdf

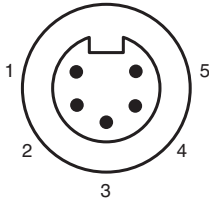
## Technical Data

Reduction factor $r_{304}$		0.85
Output type		4-wire
<b>Nominal ratings</b>		
Operating voltage	$U_B$	10 ... 30 V DC
Switching frequency	$f$	30 Hz
Hysteresis	$H$	10 ... 20 % typ. 15 %
Reverse polarity protection		yes
Short-circuit protection		yes
Voltage drop	$U_d$	$\leq 2$ V DC
Operating current	$I_L$	$\leq 200$ mA
Off-state current	$I_r$	$\leq 100$ $\mu$ A
No-load supply current	$I_0$	$\leq 35$ mA
Mag. Field strength, AC fields		250 mT
Mag. Field strength, DC fields		100 mT
<b>Limit data</b>		
Operating pressure dynamically		3000 psi
<b>Indicators/operating means</b>		
LED green		Power on
LED yellow		Output status
<b>Standard conformity</b>		
Standards		EN 60947-5-2
<b>Approvals and certificates</b>		
UL approval		cULus Listed, General Purpose
<b>Ambient conditions</b>		
Ambient temperature		-25 ... 70 °C (-13 ... 158 °F)
<b>Mechanical specifications</b>		
Connection type		Connector plug
Degree of protection		IP67
Material		Housing: zinc Probe: aluminum
Connector		
Threading		7/8 inch-16 UN
Number of pins		5
Mass		207 g
Note		X = 1.250 in (31.8 mm)

## Connection



## Connection Assignment



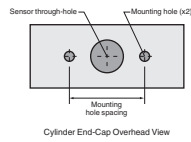
Wire colors

1	WH
2	RD
4	OR
5	BK

## Additional Information

### NPT Type Mounting Holes:

1000 and 3000 psi NPT Types:  
Mounting hole screw thread shall be 1/4" - 20.  
Minimum thread engagement depth is 0.250" (6.35 mm)  
Hole spacing is 35 mm center to center.



### Mounting Screws:

Standard 1000 and 3000 psi models use two, self-locking 1/4" - 20 socket head cap screws (provided).  
Recommended tightening torque: 150 in lb (16.95 N-m).



**Important:** When using spacers, make certain to maintain the 0.250" (6.35 mm) minimum mounting screw thread engagement.