

# Inductive sensor

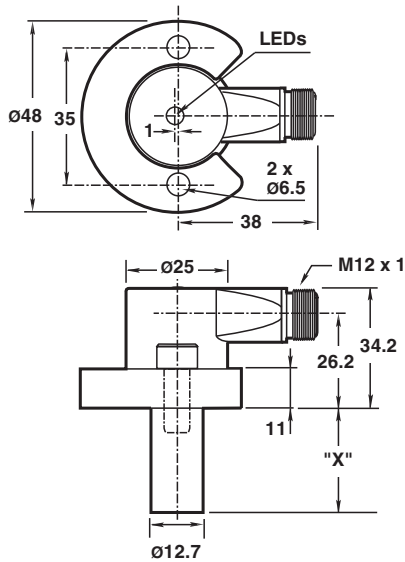
## NJ2-D-E02-2.875-V1

- 4-wire DC
- Weld Immune
- Sensing range 2 mm
- 3000 psi rating

Cylinder Position Switch



### Dimensions



### Technical Data

#### General specifications

Switching function		Normally open (NO)
Output type		PNP/NPN
Rated operating distance	$s_n$	2 mm
Installation		flush
Output polarity		DC
Assured operating distance	$s_a$	0 ... 1.62 mm
Reduction factor $r_{AI}$		0.4
Reduction factor $r_{304}$		0.85
Output type		4-wire

Release date: 2024-10-17 Date of issue: 2024-10-17 Filename: 904471\_eng.pdf

## Technical Data

### Nominal ratings

Operating voltage	$U_B$	10 ... 30 V DC
Switching frequency	f	30 Hz
Hysteresis	H	10 ... 20 % typ. 15 %
Reverse polarity protection		yes
Short-circuit protection		yes
Voltage drop	$U_d$	$\leq 2$ V DC
Operating current	$I_L$	$\leq 200$ mA
Off-state current	$I_r$	$\leq 100$ $\mu$ A
No-load supply current	$I_0$	$\leq 35$ mA
Mag. Field strength, AC fields		250 mT
Mag. Field strength, DC fields		100 mT

### Limit data

Operating pressure dynamically		3000 psi
--------------------------------	--	----------

### Indicators/operating means

LED green		Power on
LED yellow		Output status

### Standard conformity

Standards		EN 60947-5-2
-----------	--	--------------

### Approvals and certificates

UL approval		cULus Listed, General Purpose
-------------	--	-------------------------------

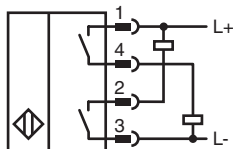
### Ambient conditions

Ambient temperature		-25 ... 70 °C (-13 ... 158 °F)
---------------------	--	--------------------------------

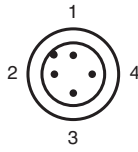
### Mechanical specifications

Connection type		Connector plug
Degree of protection		IP67
Material		Housing: zinc Probe: aluminum
Connector		
Threading		M12 x 1
Number of pins		4
Mass		196 g
Dimensions		
Length		34.5 mm
Diameter		12.7 mm
Note		X = 2.875 in (73 mm)

## Connection



## Connection Assignment



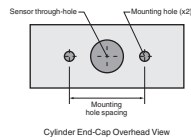
Wire colors in accordance with EN 60947-5-2

1	BN	(brown)
2	WH	(white)
3	BU	(blue)
4	BK	(black)

## Additional Information

### NPT Type Mounting Holes:

1000 and 3000 psi NPT Types:  
Mounting hole screw thread shall be 1/4" - 20.  
Minimum thread engagement depth is 0.250" (6.35 mm)  
Hole spacing is 35 mm center to center.



### Mounting Screws:

Standard 1000 and 3000 psi models use two, self-locking 1/4" - 20 socket head cap screws (provided).  
Recommended tightening torque: 150 in lb (16.95 N-m).



**Important:** When using spacers, make certain to maintain the 0.250" (6.35 mm) minimum mounting screw thread engagement.