

Inductive sensor

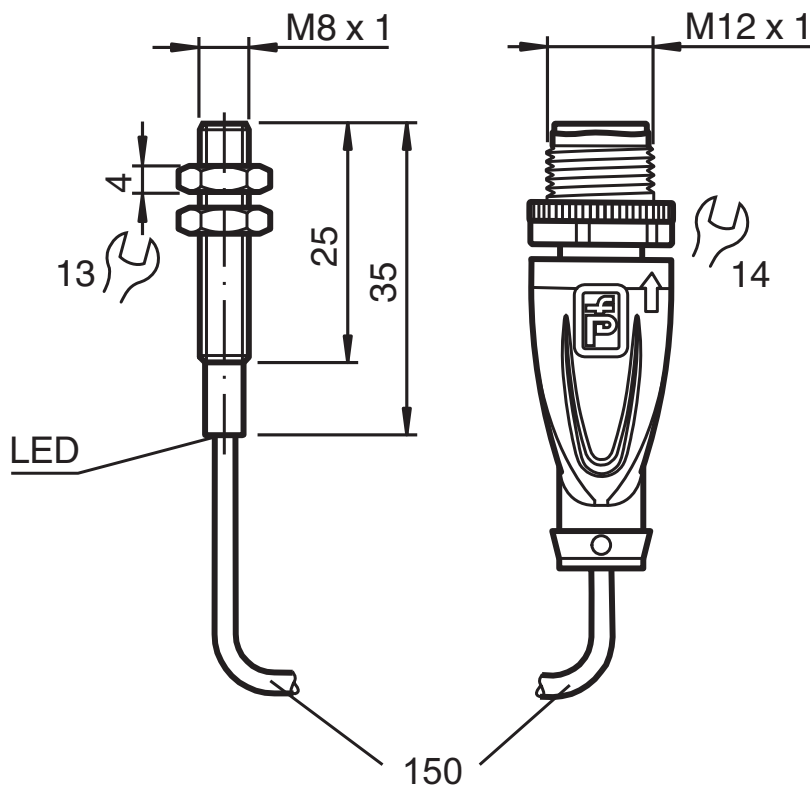
NMB1,5-8GM35-E0-FE-150MM-V1



- Stainless steel sensing face
- Sensing range 1.5 mm
- 3-wire DC



Dimensions



Technical Data

General specifications

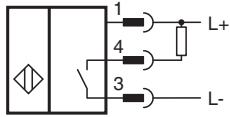
Switching function		Normally open (NO)
Output type		NPN
Rated operating distance	s_n	1.5 mm
Installation		flush
Output polarity		DC
Assured operating distance	s_a	0 ... 1.215 mm

Release date: 2025-06-06 Date of issue: 2025-06-06 Filename: 904813_eng.pdf

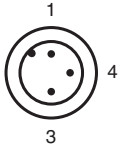
Technical Data

Actuating element	Ferrous targets	
Reduction factor r_{Al}		0
Reduction factor r_{Cu}		0
Reduction factor r_{304}		0.4 - 0.7
Reduction factor r_{316L}		1
Reduction factor r_{Brass}		0
Output type	3-wire	
Nominal ratings		
Operating voltage	U_B	10 ... 30 V DC
Switching frequency	f	80 Hz
Hysteresis	H	5 ... 15 typ. 10 %
Reverse polarity protection		yes
Short-circuit protection		yes
Voltage drop	U_d	≤ 2 V
Operating current	I_L	≤ 100 mA
Current consumption		≤ 10 mA
Off-state current	I_r	≤ 10 μ A
Indicators/operating means		
Operation indicator	LED red: Output	
Standard conformity		
Standards	EN 60947-5-2:2007 IEC 60947-5-2:2007	
Approvals and certificates		
UL approval	cULus Listed Load Type: General Purpose Circuitry: Class 2 Power Source Enclosure Type Rating: Type 1 Supply/Switching Voltage: 30 V DC Output Switching Current: 100 mA	
CCC approval	CCC approval / marking not required for products rated ≤ 36 V	
Ambient conditions		
Ambient temperature	-25 ... 75 °C (-13 ... 167 °F)	
Mechanical specifications		
Connection type	fixed cable with plug	
Housing material	Stainless steel 1.4305 / AISI 303	
Sensing face	Stainless steel 1.4305 / AISI 303	
Degree of protection	IP67	
Connector		
Threading	M12 x 1	
Tightening torque	≤ 0.6 Nm	
Number of pins	3	
Cable		
Cable diameter	3 mm - 0.2 mm	
Bending radius	> 12 x cable diameter	
Material	PUR	
Color	black	
Number of cores	3	
Core cross section	0.14 mm ²	
Length	L	150 mm
Dimensions		
Length	35 mm	
Diameter	8 mm	

Connection



Connection Assignment



Wire colors in accordance with EN 60947-5-2

1		BN	(brown)
3		BU	(blue)
4		BK	(black)