



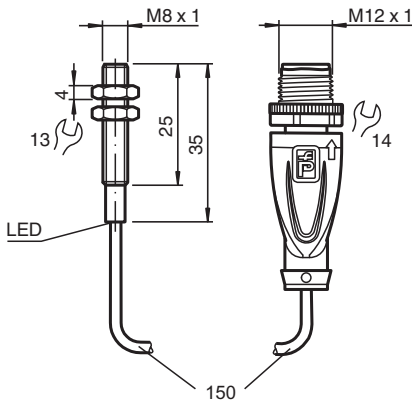
Inductive sensor

NMB1,5-8GM35-E2-FE-150MM-V1

- Stainless steel sensing face
- Sensing range 1.5 mm
- 3-wire DC



Dimensions



Technical Data

General specifications

Switching function		Normally open (NO)
Output type		PNP
Rated operating distance	s_n	1.5 mm
Installation		flush
Output polarity		DC
Assured operating distance	s_a	0 ... 1.215 mm
Actuating element		Ferrous targets
Reduction factor r_{Al}		0
Reduction factor r_{Cu}		0
Reduction factor r_{304}		0.4 - 0.7
Reduction factor r_{St37}		1
Reduction factor r_{Brass}		0
Output type		3-wire

Nominal ratings

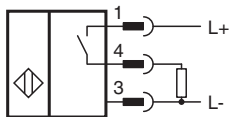
Operating voltage	U_B	10 ... 30 V DC
Switching frequency	f	80 Hz
Hysteresis	H	5 ... 15 typ. 10 %
Reverse polarity protection		yes

Release date: 2025-06-06 Date of issue: 2025-06-06 Filename: 904816_eng.pdf

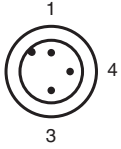
Technical Data

Short-circuit protection		yes
Voltage drop	U_d	$\leq 2 \text{ V}$
Operating current	I_L	$\leq 100 \text{ mA}$
Current consumption		$\leq 10 \text{ mA}$
Off-state current	I_r	$\leq 10 \mu\text{A}$
Indicators/operating means		
Operation indicator		LED red: Output
Standard conformity		
Standards		EN 60947-5-2:2007 IEC 60947-5-2:2007
Approvals and certificates		
UL approval		cULus Listed Load Type: General Purpose Circuitry: Class 2 Power Source Enclosure Type Rating: Type 1 Supply/Switching Voltage: 30 V DC Output Switching Current: 100 mA
CCC approval		CCC approval / marking not required for products rated $\leq 36 \text{ V}$
Ambient conditions		
Ambient temperature		$-25 \dots 75 \text{ }^\circ\text{C}$ ($-13 \dots 167 \text{ }^\circ\text{F}$)
Mechanical specifications		
Connection type		fixed cable with plug
Housing material		Stainless steel 1.4305 / AISI 303
Sensing face		Stainless steel 1.4305 / AISI 303
Degree of protection		IP67
Connector		
Threading		M12 x 1
Tightening torque		$\leq 0.6 \text{ Nm}$
Number of pins		3
Cable		
Cable diameter		3 mm - 0.2 mm
Bending radius		$> 12 \times$ cable diameter
Material		PUR
Color		black
Number of cores		3
Core cross section		0.14 mm^2
Length	L	150 mm
Dimensions		
Length		35 mm
Diameter		8 mm

Connection



Connection Assignment



Wire colors in accordance with EN 60947-5-2

1		BN	(brown)
3		BU	(blue)
4		BK	(black)