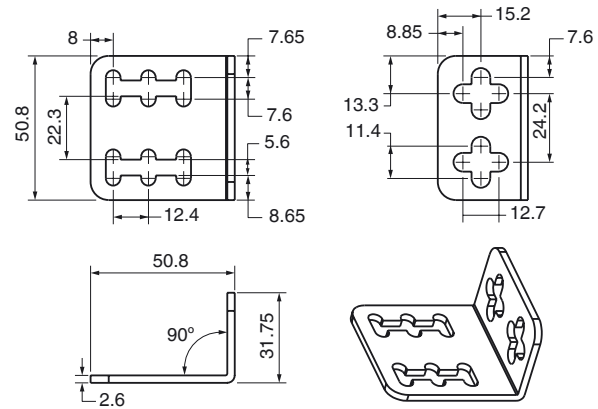




## Dimensions



## Model Number

**OMH-DK**

Right-Angled Mounting Bracket

## Features

- Mounting bracket

## Technical data

### Mechanical specifications

Material	Stainless steel 1.4305 / AISI 303
Mass	91 g

### Suitable series

Series	DK10, DK20, DK21, DK34, DK35
--------	------------------------------