



Thru-beam sensor emitter MD17/115



- Emitter
- Compact, versatile housing
- 360° high visibility LEDs
- 2 m cable length

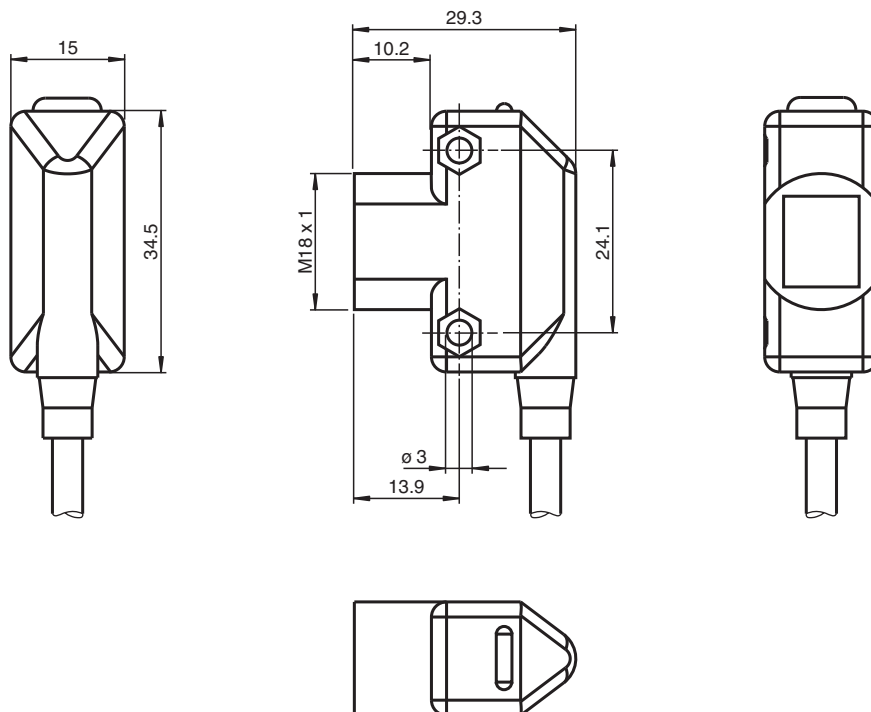
Thru-beam sensor transmitter, small design, infrared light, 20 m range, cable



Function

The ML17 sensor family offers diverse connection and installation options, which means that it can adapt to the most varied automation tasks. In addition to the usual fitting method using M4 screws, these sensors can also be installed by means of M18 threaded insert. All devices are equipped with a green Power On display and a yellow function display. These displays are arranged in such a way that they are clearly visible from different directions.

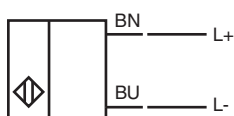
Dimensions



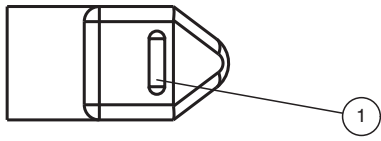
Technical Data

System components			
Emitter			MD17/115
Receiver			MV17/115
General specifications			
Effective detection range			0 ... 15 m
Threshold detection range			20 m
Reference target			receiver
Light source			IRED
Light type			Infrared LED
Ambient light limit			≤ 10000 Lux
Indicators/operating means			
Operation indicator			LED green
Electrical specifications			
Operating voltage	U_B		10 ... 30 V DC , class 2
Ripple			max. 10 %
No-load supply current	I_0		< 25 mA
Operating current	I_B		
Time delay before availability	t_v		≤ 200 ms
Conformity			
Product standard			EN 60947-5-2 IEC 60947-5-2
Approvals and certificates			
CE conformity			CE
UL approval			cULus
CCC approval			CCC approval / marking not required for products rated ≤36 V
Ambient conditions			
Ambient temperature			-20 ... 55 °C (-4 ... 131 °F)
Storage temperature			-20 ... 70 °C (-4 ... 158 °F)
Mechanical specifications			
Housing width			15 mm
Housing height			34.5 mm
Degree of protection			IP67
Connection			2 m fixed cable
Material			
Housing			ABS
Optical face			Acrylic
Mass			40 g

Connection

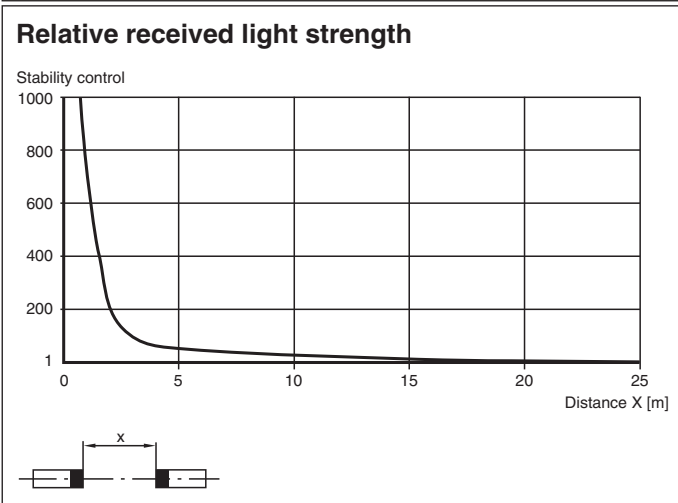
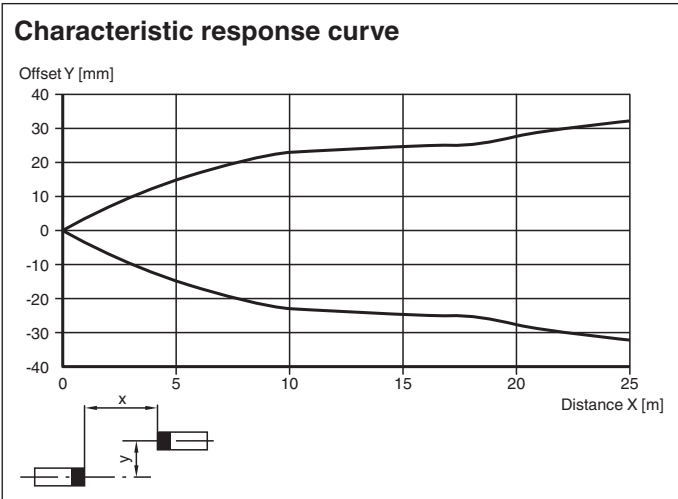


Indication



1 Operating display green

Characteristic Curve



Accessories

	OMH-ML17	Mounting bracket
	OMH-ML17-1	Mounting bracket

Release date: 2023-03-28 Date of issue: 2023-03-28 Filename: 908707_eng.pdf