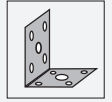




Mounting aid OMH-ML17-1

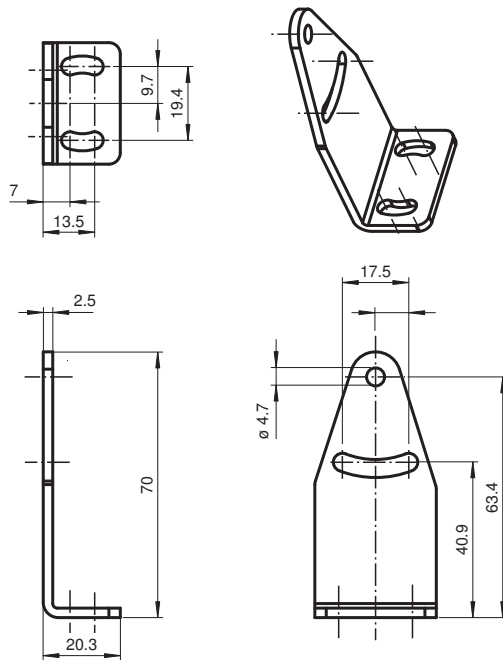


- Mounting bracket
- Simple and fast mounting

Mounting bracket



Dimensions



Technical Data

Mechanical specifications

Material	Stainless steel
Mounting	Mounting accessories included

Suitable series

Series	ML17
--------	------