



## Diffuse mode sensor ML17-8-450/115b/136

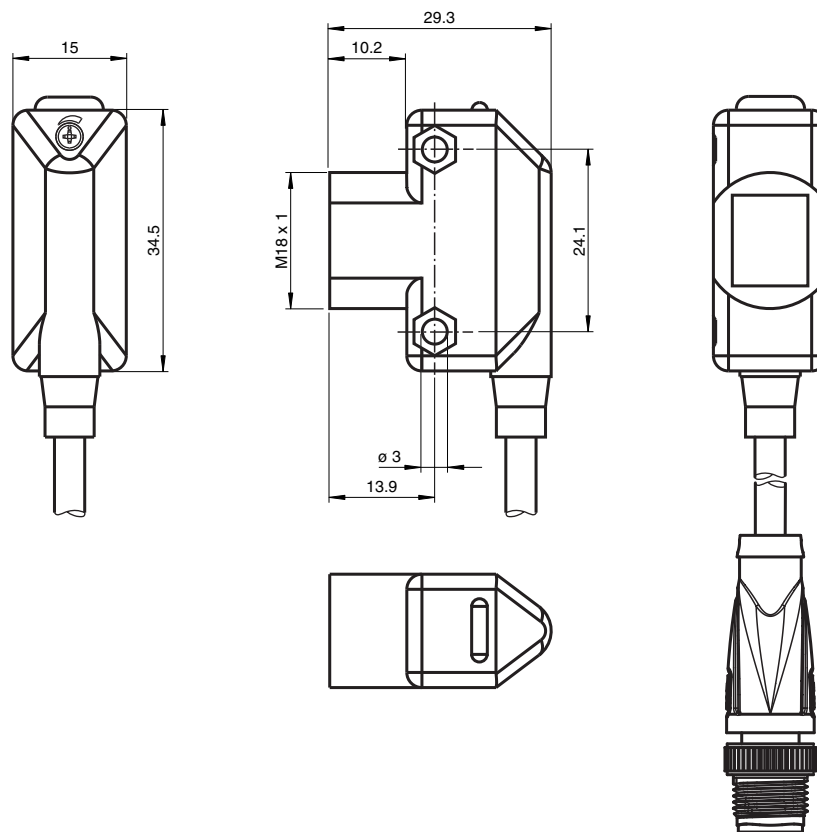


- Compact, versatile housing
- 360° high visibility LEDs
- Adjustable sensing range
- Front mounting with M18-threads or side mounting holes

Diffuse mode sensor



### Dimensions



### Technical Data

#### General specifications

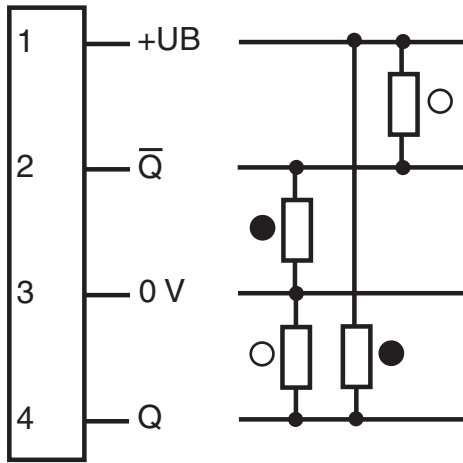
Detection range	10 ... 450 mm
Adjustment range	60 ... 450 mm
Reference target	standard white, 100 mm x 100 mm
Light source	IRED

Release date: 2022-03-30 Date of issue: 2022-03-30 Filename: 909112\_eng.pdf

## Technical Data

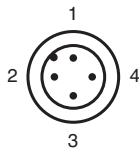
Light type	modulated infrared light , 950 nm	
Ambient light limit	≤ 10000 Lux	
<b>Indicators/operating means</b>		
Operation indicator	LED green	
Function indicator	LED yellow, lights up with receiver lit	
Control elements	Sensing range adjuster	
<b>Electrical specifications</b>		
Operating voltage	$U_B$	10 ... 30 V DC , class 2
Ripple	max. 10 %	
No-load supply current	$I_0$	< 25 mA
Time delay before availability	$t_v$	≤ 200 ms
<b>Output</b>		
Switching type	light/dark on	
Signal output	2 push-pull (4 in 1) outputs, short-circuit protected, reverse polarity protected, overvoltage protected	
Switching voltage	max. 30 V DC	
Switching current	max. 100 mA per output	
Voltage drop	$U_d$	≤ 2.5 V DC
Switching frequency	$f$	500 Hz
Response time	≤ 1 ms	
<b>Conformity</b>		
Product standard	EN 60947-5-2	
<b>Approvals and certificates</b>		
EAC conformity	TR CU 020/2011	
UL approval	cULus	
CCC approval	CCC approval / marking not required for products rated ≤36 V	
<b>Ambient conditions</b>		
Ambient temperature	-20 ... 55 °C (-4 ... 131 °F)	
Storage temperature	-20 ... 70 °C (-4 ... 158 °F)	
<b>Mechanical specifications</b>		
Housing width	15 mm	
Housing height	34.5 mm	
Degree of protection	IP67	
Connection	150 mm PVC cable with 4-pin, M12 connector	
Material		
Housing	ABS	
Optical face	Acrylic	
Mass	approx. 23 g	

**Connection**



○ = Light on  
● = Dark on

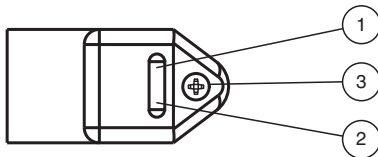
**Connection Assignment**



Wire colors in accordance with EN 60947-5-2

- 1 | BN (brown)
- 2 | WH (white)
- 3 | BU (blue)
- 4 | BK (black)

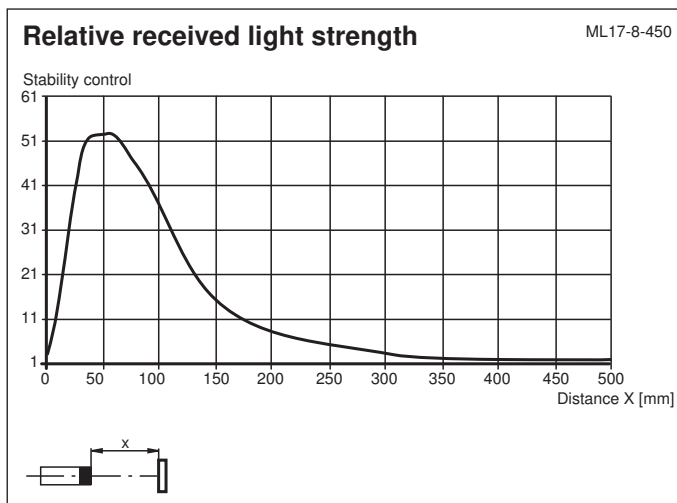
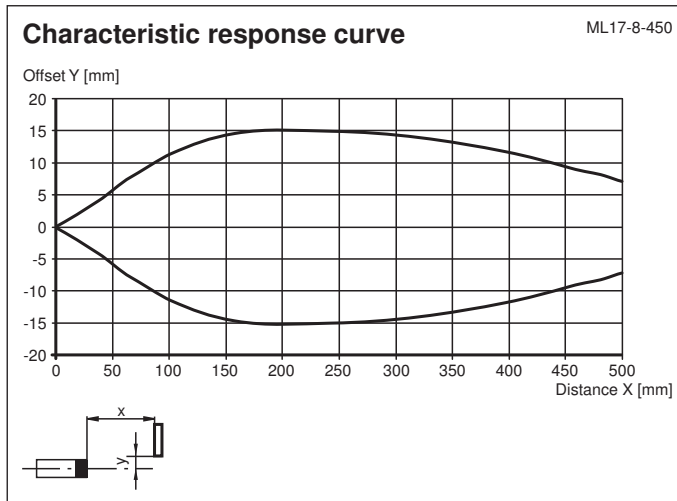
**Assembly**







1	Signal display	yellow
2	Operating display	green
3	Sensitivity adjustment	

Release date: 2022-03-30 Date of issue: 2022-03-30 Filename: 909112\_eng.pdf

## Characteristic Curve



## Accessories

	<b>OMH-ML17</b>	Mounting bracket
	<b>OMH-ML17-1</b>	Mounting bracket
	<b>V1-G-2M-PUR</b>	Female cordset single-ended M12 straight A-coded, 4-pin, PUR cable grey
	<b>V1-W-2M-PUR</b>	Female cordset single-ended M12 angled A-coded, 4-pin, PUR cable grey