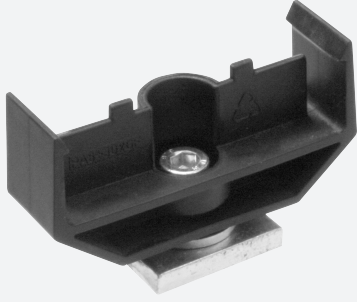


WCS2 aluminum profile system

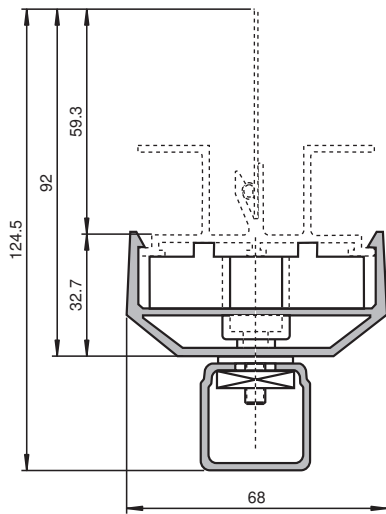
WCS2-MH2-UNI



- Profile rail simply snap-on

WCS2 holder for UNISTRUTTM profile

Dimensions



Technical Data

Mechanical specifications

Material	Polyamide (PA)
Mass	20 g

Release date: 2024-11-26 Date of issue: 2024-11-26 Filename: 909224_eng.pdf

Function

Rail holders, into which the profile rail is clipped, are available for rapid installation of the aluminium profile rail. The rail holders are available in three different versions.

The basic screw-on holder is bolted to the substructure. This UNISTRUT™ model is designed for installation in any 1 5/8" UNISTRUT™ profile rail.

For upright and suspended mounting, the suspension distance for the aluminium profile must not exceed 1.5 m, which means a minimum of 3 rail holders per 5 m section. For horizontal mounting, the suspension distance must not exceed 1.25 m, which means a minimum of 4 rail holders per 5 m section