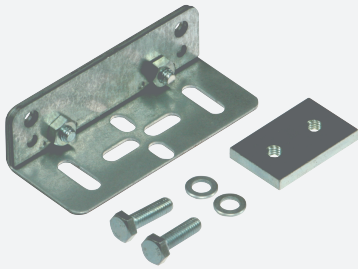


WCS mounting bracket system

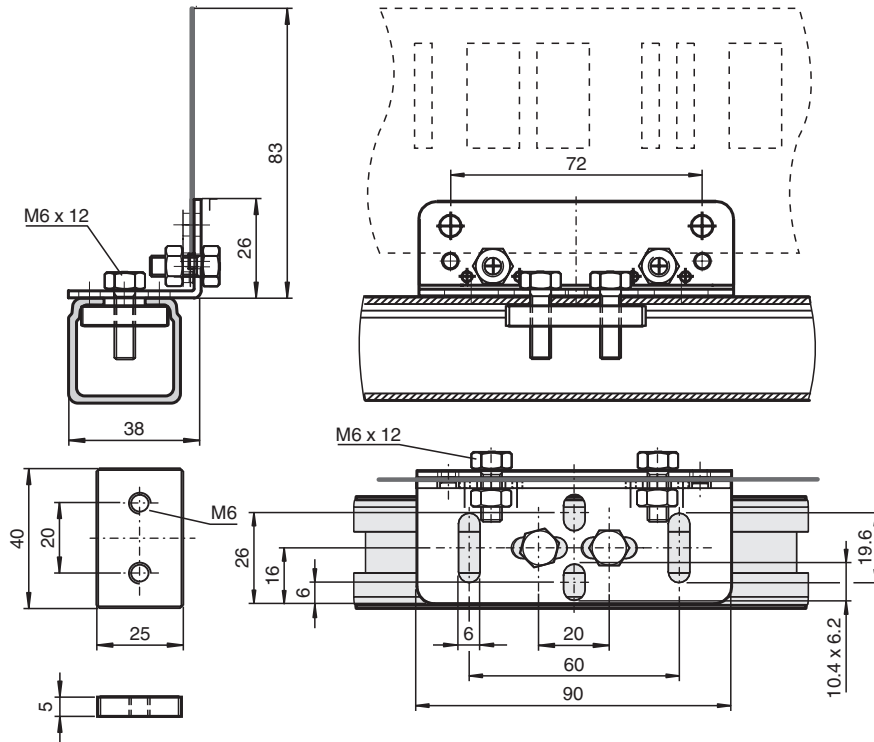
WCS-MB2-UNI



- Mounting bracket for code rail, straight
- For mounting in UNISTRUT™ profile rails

Mounting bracket for UNISTRUT™ profile, straight section

Dimensions



Technical Data

Ambient conditions

Ambient temperature -40 ... 100 °C (-40 ... 212 °F)

Mechanical specifications

Material thickness 2 mm
Material Metal sheet (steel), zinc-plated
Mass 125 g (without fastening screws)