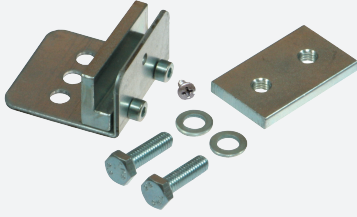


# WCS mounting bracket system

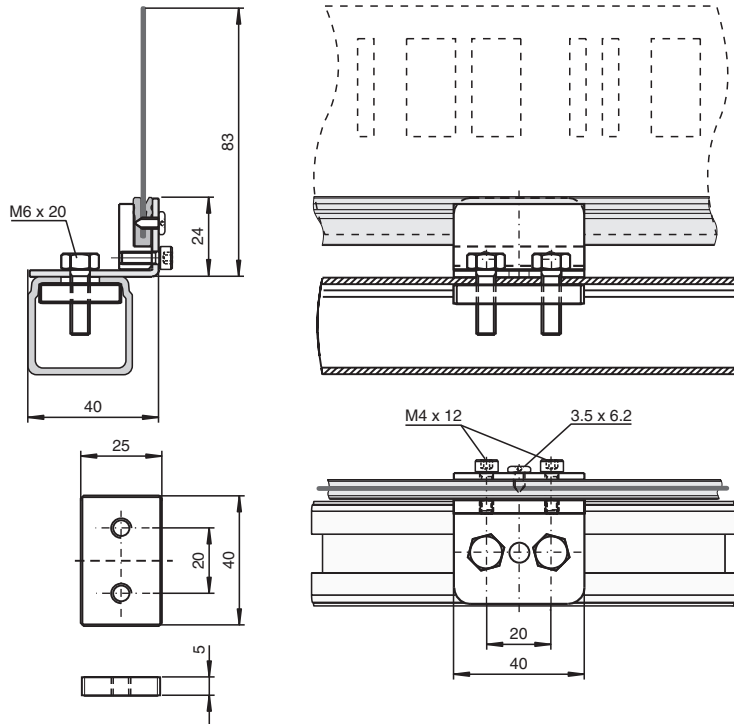
## WCS-MB2-B-UNI



- Mounting bracket for code rail, bend
- For mounting in UNISTRUT™ profile rails

Mounting bracket for Unistrut™ profile, curved

### Dimensions



### Technical Data

#### Ambient conditions

Ambient temperature -40 ... 100 °C (-40 ... 212 °F)

#### Mechanical specifications

Material thickness 2 mm

Material Metal sheet (steel), zinc-plated

Mass 85 g (without fastening screws)