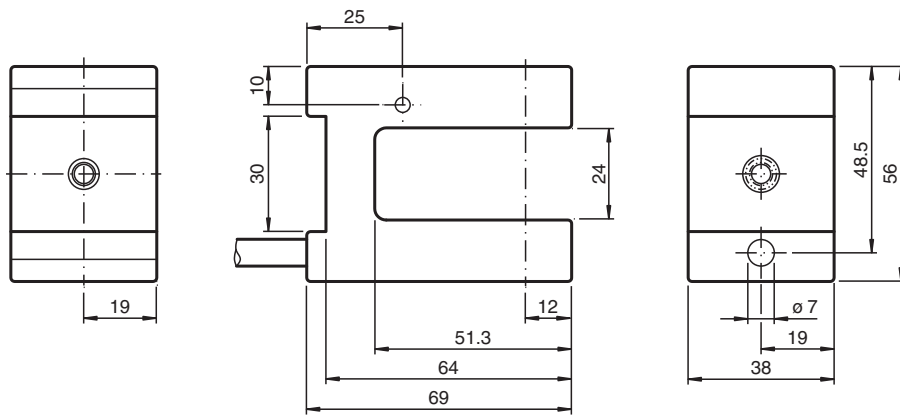




Photoelectric slot sensor OBE24-S1-A2-Y909799



Dimensions



Technical Data

General specifications

Sensing range	0 ... 24 mm
Light source	LED
Light type	infrared , 950 nm
Tests	EN 60947-5-2

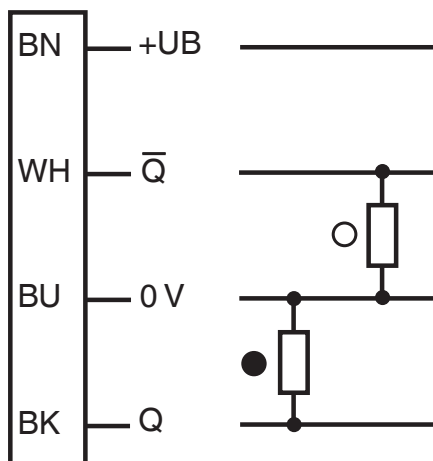
Release date: 2022-08-23 Date of issue: 2022-08-23 Filename: 909799_eng.pdf

Technical Data

Marking	CE	
Slot width		24 mm
Slot depth		24 mm
Ambient light limit		Fluorescent lamp 3000 Lux sun light 10000 Lux
Indicators/operating means		
Operation indicator		LED red
Electrical specifications		
Operating voltage	U_B	10 ... 60 V DC
Ripple		10 %
No-load supply current	I_0	≤ 25 mA
Time delay before availability	t_v	≤ 10 ms
Output		
Switching type		light/dark on
Signal output		2 PNP complementary , Reverse polarity protection , open collectors
Switching voltage		max. 60 V DC
Switching current		max. 100 mA
Voltage drop	U_d	≤ 0.5 V
Switching frequency	f	100 Hz
Response time		< 10 ms
Conformity		
Product standard		EN 60947-5-2
Approvals and certificates		
EAC conformity		TR CU 020/2011
Ambient conditions		
Ambient temperature		-25 ... 55 °C (-13 ... 131 °F)
Storage temperature		-30 ... 70 °C (-22 ... 158 °F)
Mechanical specifications		
Degree of protection		IP65
Connection		600 mm
Material		
Housing		ABS
Note		Normally closed (NC) black wire is inside heat-shrinkable tube

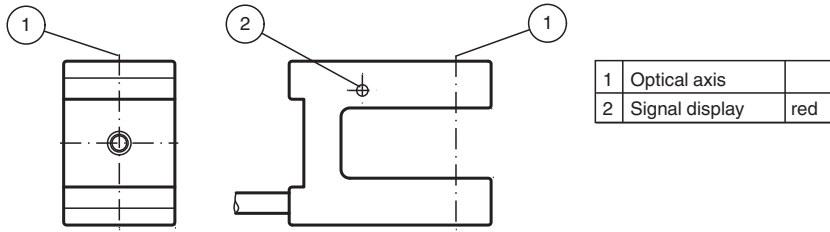
Connection Assignment

Option: /120

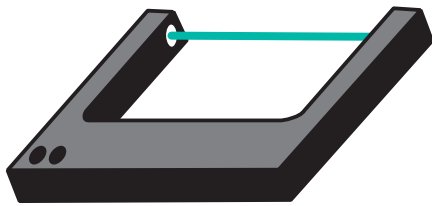


○ = Light on
● = Dark on

Assembly



Application



Safety Information

Safety Instructions:

- Read the operating instructions before commissioning
- Installation, connection and adjustments should only be undertaken by qualified personnel
- No safety component according to EU Machinery Directive, may not be used for personal protection or EMERGENCY STOP function.