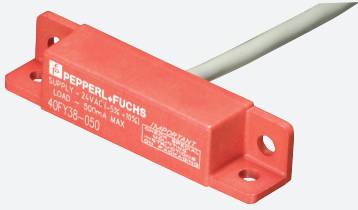


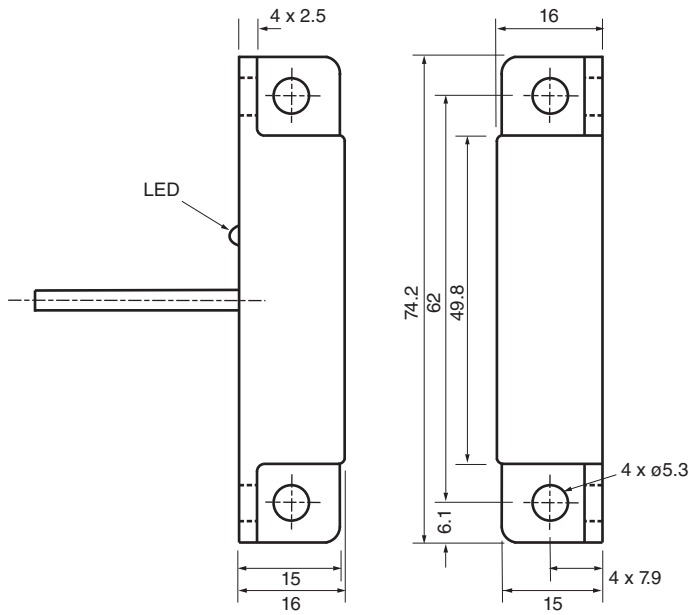
Magnetic field sensor

40FY38-50



- Hall Effect Sensor
- Magnet Actuator Required
- Door Interrupt Sensor

Dimensions



Technical Data

General specifications

Switching function		Normally open (NO)
Output type		Two-wire
Rated operating distance	s_n	Use either 41FY1 - 6.4 - 15.2 mm or 41FY2 - 7.6 - 19 mm
Installation		non-flush
Output polarity		AC
Output type		2-wire AC

Nominal ratings

Operating voltage	U_B	24 V AC
Voltage drop	U_d	8 V at 500 mA
Operating current	I_L	max. 500 mA

Technical Data

Off-state current	I_r	1.5 mA
Indicators/operating means		
LED indication		switching state
Electrical specifications		
Electrical rating		24 V AC
Ambient conditions		
Ambient temperature		-25 ... 70 °C (-13 ... 158 °F)
Mechanical specifications		
Connection type		cable
Housing material		Polycarbonate
Sensing face		Polycarbonate
Degree of protection		IP67
Cable		
Cable diameter		4.8 mm ± 0.3 mm
Bending radius		> 10 x cable diameter
Material		PVC
Color		grey
Number of cores		2
Core cross section		0.34 mm ²
Length	L	5 m
Dimensions		
Width		16 mm
Depth		16 mm
Length		74.2 mm

Connection

