



## Background suppression sensor

ML17-8-H-50-RT/136/143

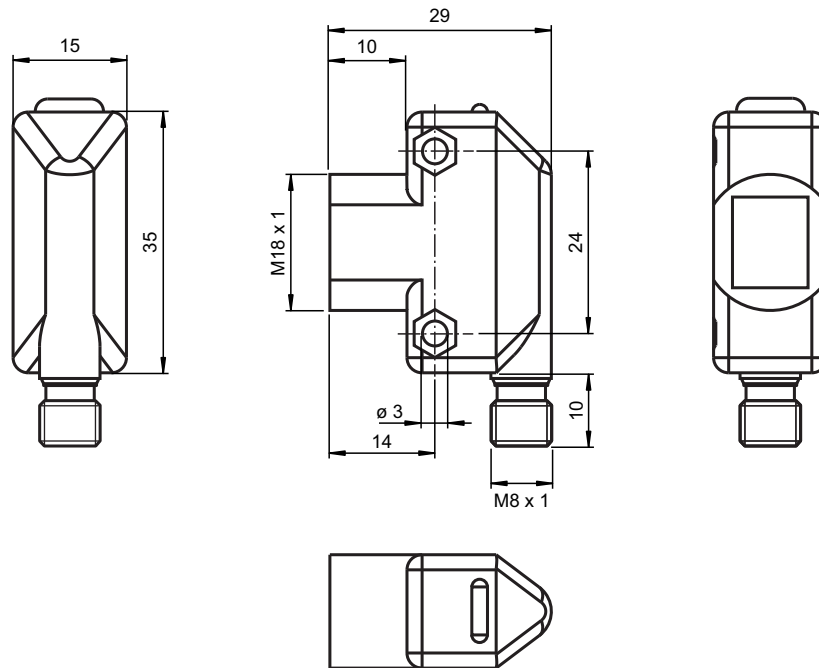


- Compact, versatile housing
- 360° high visibility LEDs
- Very low color sensitivity
- Front mounting with M18-threads or side mounting holes
- Sturdy, waterproof plastic housing
- Tamper-proof version with no adjustments

Background suppression sensor



### Dimensions



### Technical Data

#### General specifications

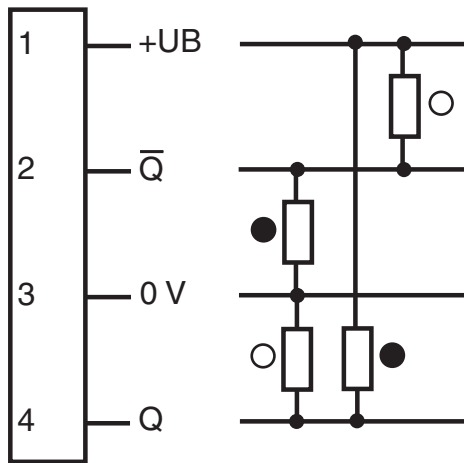
Detection range	10 ... 50 mm
Background suppression	starts from 65 mm
Reference target	standard black, 100 mm x 100 mm
Light source	LED

Release date: 2022-03-30 Date of issue: 2022-03-30 Filename: 910651\_eng.pdf

## Technical Data

Light type	modulated visible red light , 640 nm	
Black-white difference (6 %/90 %)		≤ 10 %
Diameter of the light spot		≤ 3 mm at 50 mm
Opening angle		≤ 4 °
Ambient light limit		≤ 40000 Lux
<b>Indicators/operating means</b>		
Operation indicator	green LED , solid : Power on green LED , flashing: Short circuit/overload indication	
Function indicator	LED yellow, lights up with receiver lit	
<b>Electrical specifications</b>		
Operating voltage	$U_B$	10 ... 30 V DC , class 2
Ripple		max. 10 %
No-load supply current	$I_0$	< 30 mA
Time delay before availability	$t_v$	≤ 100 ms
<b>Output</b>		
Switching type	light/dark on	
Signal output	2 push-pull (4 in 1) outputs, short-circuit protected, reverse polarity protected, overvoltage protected	
Switching voltage	max. 30 V DC	
Switching current	max. 100 mA	
Voltage drop	$U_d$	≤ 2.5 V DC
Switching frequency	$f$	500 Hz
Response time	≤ 1 ms	
<b>Conformity</b>		
Product standard	EN 60947-5-2	
<b>Approvals and certificates</b>		
EAC conformity	TR CU 020/2011	
UL approval	cULus	
CCC approval	CCC approval / marking not required for products rated ≤36 V	
<b>Ambient conditions</b>		
Ambient temperature	-20 ... 55 °C (-4 ... 131 °F)	
Storage temperature	-20 ... 70 °C (-4 ... 158 °F)	
<b>Mechanical specifications</b>		
Housing width	15 mm	
Housing height	34.5 mm	
Degree of protection	IP67	
Connection	4-pin , M8 x 1 connector	
Material		
Housing	ABS	
Optical face	Acrylic	
Mass	approx. 9 g	

## Connection



○ = Light on  
● = Dark on

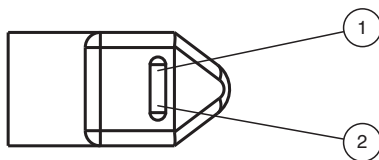
## Connection Assignment



Wire colors in accordance with EN 60947-5-2

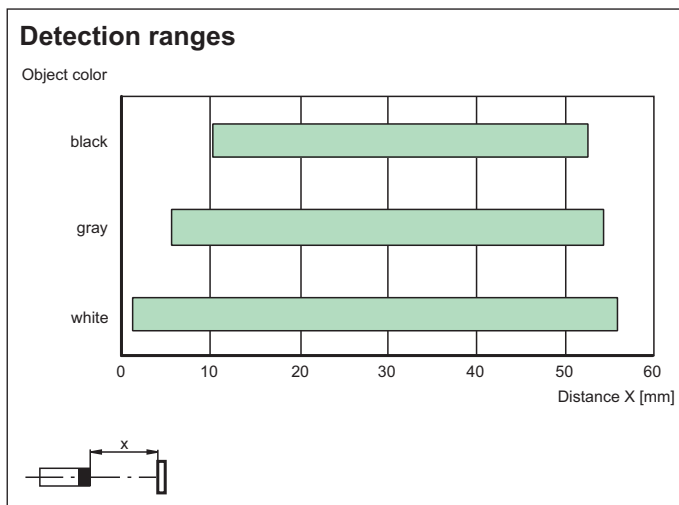
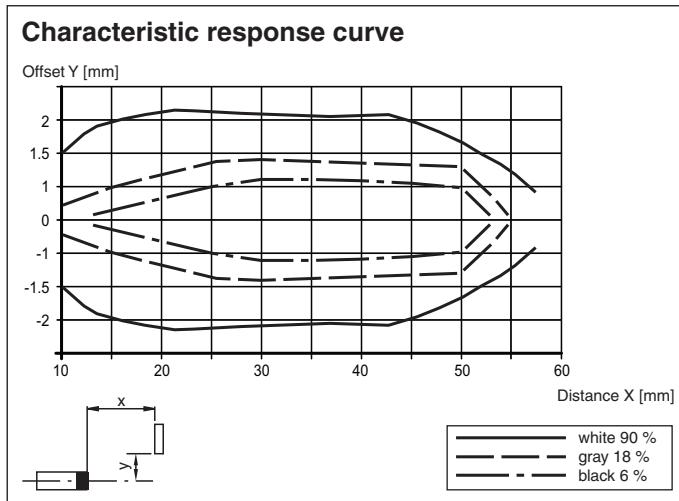
1	BN	(brown)
2	WH	(white)
3	BU	(blue)
4	BK	(black)

## Indication



1	Signal display	yellow
2	Operating display	green

## Characteristic Curve



## Accessories

	<b>OMH-ML17</b>	Mounting bracket
	<b>OMH-ML17-1</b>	Mounting bracket
	<b>V31-GM-2M-PUR</b>	Female cordset single-ended M8 straight A-coded, 4-pin, PUR cable grey
	<b>V31-WM-2M-PUR</b>	Female cordset single-ended M8 angled A-coded, 4-pin, PUR cable grey

Release date: 2022-03-30 Date of issue: 2022-03-30 Filename: 910651\_eng.pdf