



Background suppression sensor ML17-8-H-50-RT/73/136

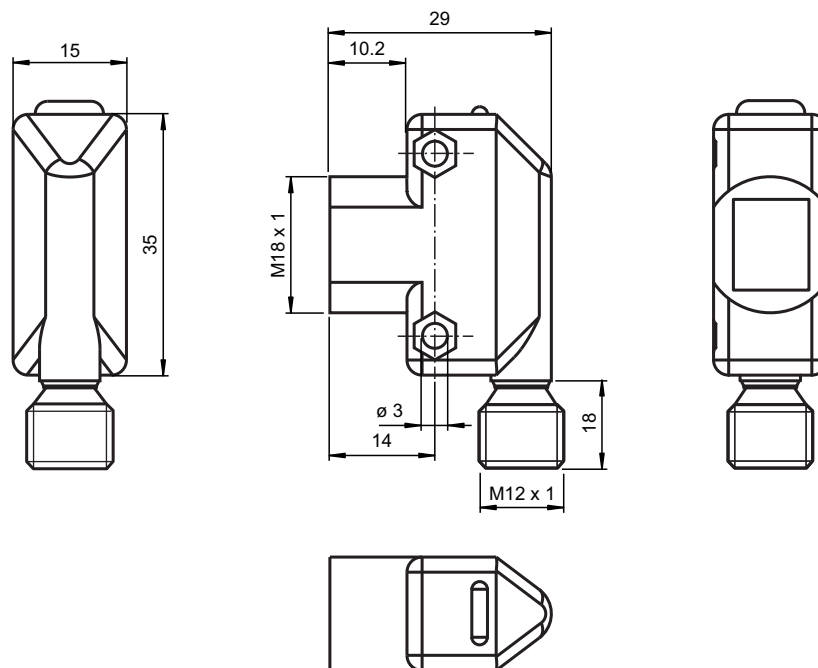


- Compact, versatile housing
- 360° high visibility LEDs
- Very low color sensitivity
- Front mounting with M18-threads or side mounting holes
- Sturdy, waterproof plastic housing
- Tamper-proof version with no adjustments

Background suppression sensor



Dimensions



Technical Data

General specifications

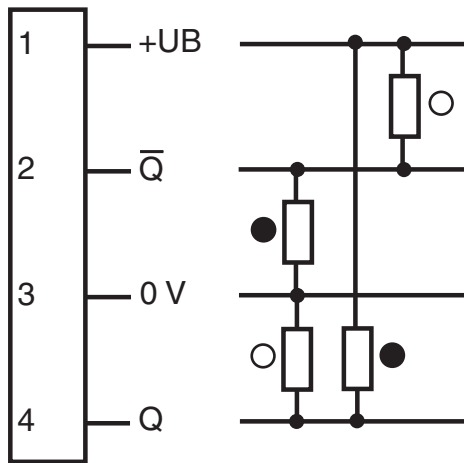
Detection range	10 ... 50 mm
Background suppression	starts from 65 mm
Reference target	standard black, 100 mm x 100 mm
Light source	LED

Release date: 2022-03-30 Date of issue: 2022-03-30 Filename: 910652_eng.pdf

Technical Data

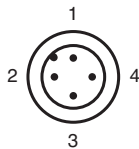
Light type	modulated visible red light , 640 nm	
Black-white difference (6 %/90 %)		≤ 10 %
Diameter of the light spot		≤ 3 mm at 50 mm
Opening angle		≤ 4 °
Ambient light limit		≤ 40000 Lux
Indicators/operating means		
Operation indicator	green LED , solid : Power on green LED , flashing: Short circuit/overload indication	
Function indicator	LED yellow, lights up with receiver lit	
Electrical specifications		
Operating voltage	U_B	10 ... 30 V DC , class 2
Ripple		max. 10 %
No-load supply current	I_0	< 30 mA
Time delay before availability	t_v	≤ 100 ms
Output		
Switching type	light/dark on	
Signal output	2 push-pull (4 in 1) outputs, short-circuit protected, reverse polarity protected, overvoltage protected	
Switching voltage	max. 30 V DC	
Switching current	max. 100 mA	
Voltage drop	U_d	≤ 2.5 V DC
Switching frequency	f	500 Hz
Response time	≤ 1 ms	
Conformity		
Product standard	EN 60947-5-2	
Approvals and certificates		
EAC conformity	TR CU 020/2011	
UL approval	cULus	
CCC approval	CCC approval / marking not required for products rated ≤36 V	
Ambient conditions		
Ambient temperature	-20 ... 55 °C (-4 ... 131 °F)	
Storage temperature	-20 ... 70 °C (-4 ... 158 °F)	
Mechanical specifications		
Housing width	15 mm	
Housing height	34.5 mm	
Degree of protection	IP67	
Connection	4-pin , M12 x 1 connector	
Material		
Housing	ABS	
Optical face	Acrylic	
Mass	approx. 9 g	

Connection



○ = Light on
● = Dark on

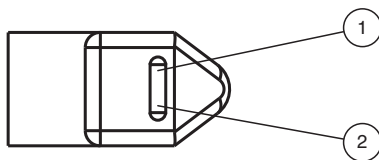
Connection Assignment



Wire colors in accordance with EN 60947-5-2

1	BN	(brown)
2	WH	(white)
3	BU	(blue)
4	BK	(black)

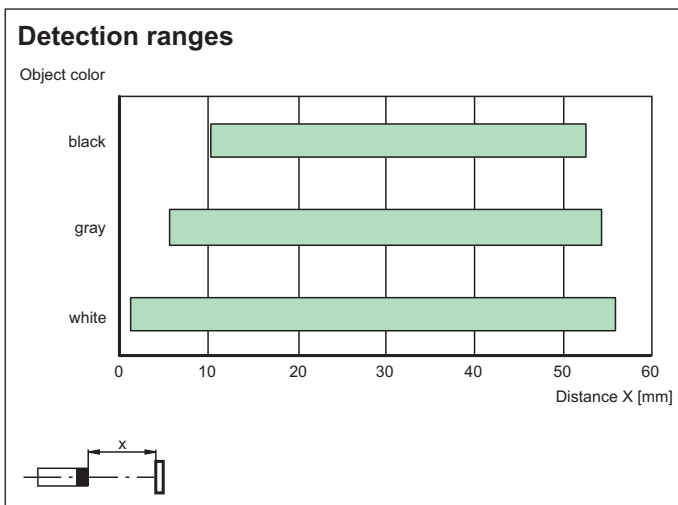
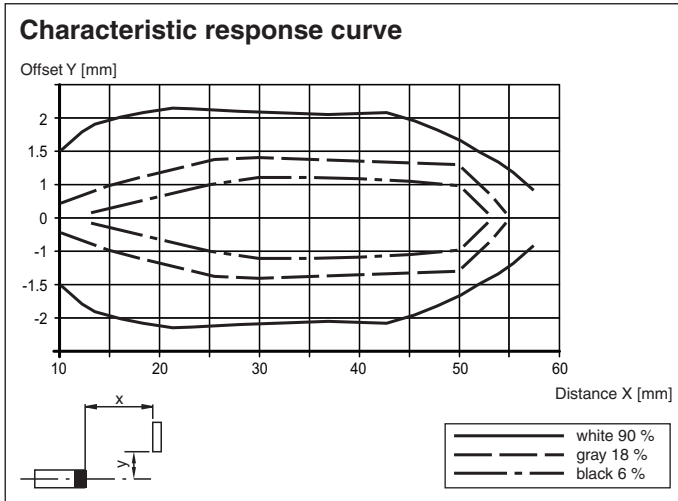
Indication



1	Signal display	yellow
2	Operating display	green

Release date: 2022-03-30 Date of issue: 2022-03-30 Filename: 910652_eng.pdf

Characteristic Curve



Accessories

	OMH-ML17	Mounting bracket
	OMH-ML17-1	Mounting bracket
	V1-G-2M-PUR	Female cordset single-ended M12 straight A-coded, 4-pin, PUR cable grey
	V1-W-2M-PUR	Female cordset single-ended M12 angled A-coded, 4-pin, PUR cable grey

Release date: 2022-03-30 Date of issue: 2022-03-30 Filename: 910652_eng.pdf