



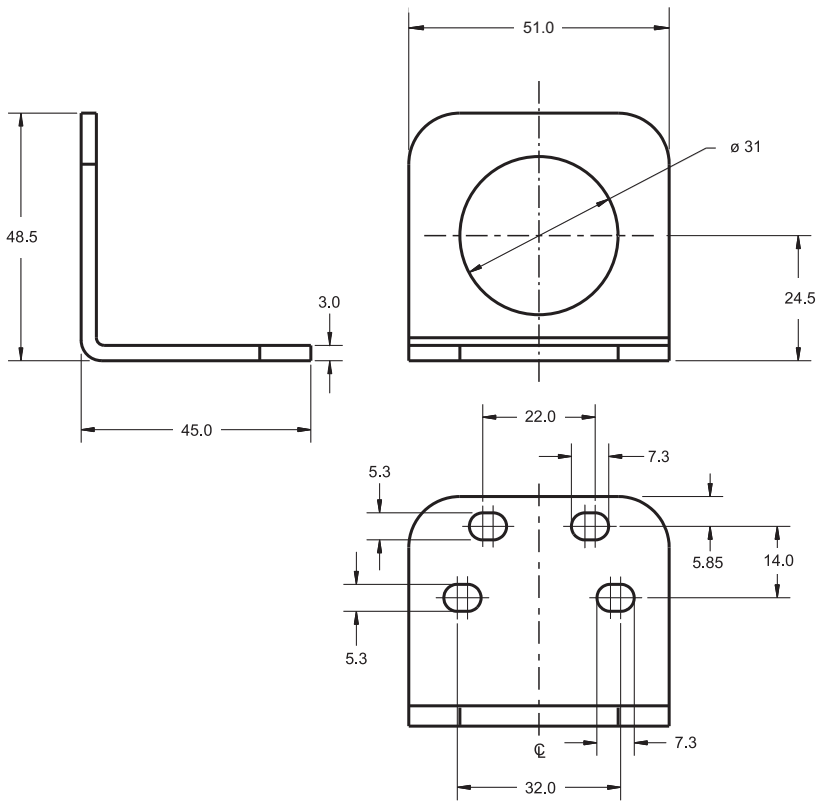
Mounting bracket

AB-30-L3M-C

■ Cylindrical/Rhino conversion bracket

Mounting aid

Dimensions



Technical Data

Mechanical specifications

Material

Stainless steel, PTFE coated

Release date: 2021-12-03 Date of issue: 2021-12-03 Filename: 911421_eng.pdf

Application

Right angle mounting bracket converts 30mm diameter, 100% stainless steel sensing face sensors to the "Rhino" surface mount footprint.

