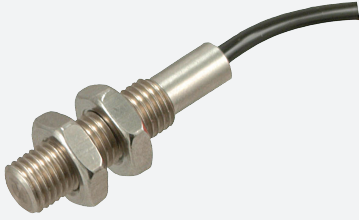


## Inductive sensor

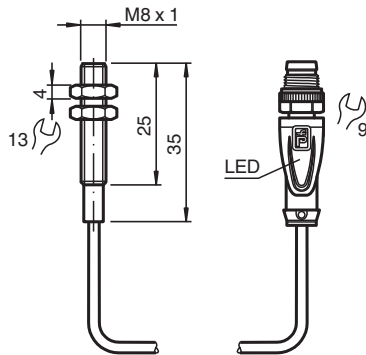
### NMB3-8GM35-E2-150MM-V3



- 3 mm flush
- Stainless steel sensing face
- Increased operating distance



## Dimensions



## Technical Data

### General specifications

Switching function		Normally open (NO)
Output type		PNP
Rated operating distance	$s_n$	3 mm
Installation		flush
Output polarity		DC
Assured operating distance	$s_a$	0 ... 2.43 mm

Release date: 2025-06-10 Date of issue: 2025-06-10 Filename: 912292\_eng.pdf

## Technical Data

Reduction factor $r_{Al}$		0.3
Reduction factor $r_{Cu}$		0.2
Reduction factor $r_{304}$		0.7
Output type		3-wire
<b>Nominal ratings</b>		
Operating voltage	$U_B$	10 ... 30 V
Switching frequency	$f$	0 ... 360 Hz
Hysteresis	$H$	5 ... 15 typ. 10 %
Reverse polarity protection		yes
Short-circuit protection		yes
Voltage drop	$U_d$	$\leq 2$ V
Operating current	$I_L$	0 ... 100 mA
Off-state current	$I_r$	0 ... 10 $\mu$ A typ. 0.1 $\mu$ A at 25 °C
No-load supply current	$I_0$	$\leq 10$ mA
<b>Functional safety related parameters</b>		
MTTF <sub>d</sub>		2000 a
Mission Time ( $T_M$ )		20 a
Diagnostic Coverage (DC)		0 %
<b>Indicators/operating means</b>		
Operation indicator		Dual LED Green: power Yellow: output
<b>Standard conformity</b>		
Standards		EN 60947-5-2:2007 IEC 60947-5-2:2007
<b>Approvals and certificates</b>		
UL approval		cULus Listed Load Type: General Purpose Circuitry: Class 2 Power Source Enclosure Type Rating: Type 1 Supply/Switching Voltage: 30 V DC Output Switching Current: 100 mA
CCC approval		CCC approval / marking not required for products rated $\leq 36$ V
<b>Ambient conditions</b>		
Ambient temperature		-25 ... 75 °C (-13 ... 167 °F)
<b>Mechanical specifications</b>		
Connection type		fixed cable with plug
Housing material		Stainless steel 1.4305 / AISI 303
Sensing face		Stainless steel 1.4305 / AISI 303
Degree of protection		IP67
<b>Connector</b>		
Threading		M8 x 1
Tightening torque		$\leq 0.4$ Nm
Number of pins		3
<b>Cable</b>		
Cable diameter		3 mm - 0.2 mm
Bending radius		$> 12 \times$ cable diameter
Material		PUR
Color		black
Number of cores		3
Core cross section		0.14 mm <sup>2</sup>
Length	$L$	150 mm
<b>Dimensions</b>		
Length		35 mm
Diameter		8 mm

Release date: 2025-06-10 Date of issue: 2025-06-10 Filename: 912292\_eng.pdf

## Connection



## Connection Assignment



Wire colors in accordance with EN 60947-5-2

1	BN	(brown)
3	BU	(blue)
4	BK	(black)