



### Model Number

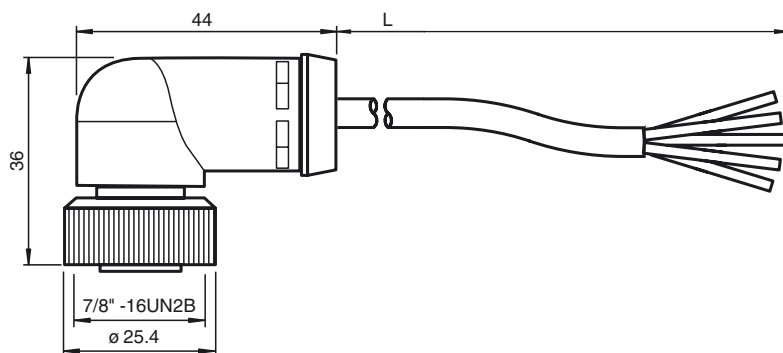
**V95-W-YE2M-STOOW**

Female cordset, 7/8", 5-pin, STOOW cable

### Features

- Thread 7/8 inch

### Dimensions



### Technical data

#### General specifications

|                     |             |
|---------------------|-------------|
| Number of pins      | 5           |
| Connection 1        | socket      |
| Construction type 1 | right angle |
| Threading 1         | 7/8 inch    |
| Connection 2        | cable end   |

#### Electrical specifications

|                   |       |                |
|-------------------|-------|----------------|
| Operating voltage | $U_B$ | max. 600 V     |
| Operating current | $I_B$ | 8 A            |
| Volume resistance |       | < 5 m $\Omega$ |

#### Ambient conditions

|                     |                                 |
|---------------------|---------------------------------|
| Ambient temperature | -40 ... 105 °C (-40 ... 221 °F) |
|---------------------|---------------------------------|

#### Mechanical specifications

|                      |                                  |     |
|----------------------|----------------------------------|-----|
| Degree of protection | IP67                             |     |
| Material             |                                  |     |
| Contacts             | Cu alloy gold plated             |     |
| Body                 | PVC, yellow                      |     |
| Cable                | PVC                              |     |
| Slotted nut          | nickel-plated brass              |     |
| Core insulation      | PVC                              |     |
| Cable                | fine-strand, flexible            |     |
| Sheath diameter      | Ø 12.9 mm                        |     |
| Bending radius       | 10 x cable diameter              |     |
| Color                | yellow                           |     |
| Cores                | 5 x 1.5 mm <sup>2</sup> (16 AWG) |     |
| Length               | L                                | 2 m |
| Note                 | STOOW UL Standard                |     |

#### Approvals and certificates

|             |                               |
|-------------|-------------------------------|
| UL approval | cULus Listed, General Purpose |
|-------------|-------------------------------|

### Electrical connection



|   |       |       |
|---|-------|-------|
| 1 | ..... | WH    |
| 2 | ..... | RD    |
| 3 | ..... | GN/YE |
| 4 | ..... | OR    |
| 5 | ..... | BK    |