



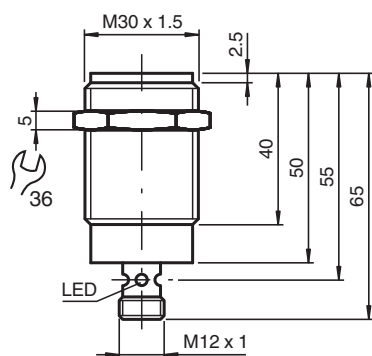
Inductive sensor

NMB15-30GM65-Z4-V1

- 15 mm flush
- Stainless steel sensing face
- Increased operating distance



Dimensions



Technical Data

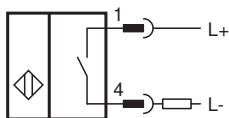
General specifications		
Switching function		Normally open (NO)
Output type		Two-wire
Rated operating distance	s_n	15 mm
Installation		flush (Requirements: see drawing below)
Output polarity		DC
Assured operating distance	s_a	0 ... 12.15 mm
Actuating element		Ferrous and nonferrous targets
Reduction factor r_{Al}		0.4
Reduction factor r_{Cu}		0.2
Reduction factor r_{304}		0.85
Reduction factor r_{St37}		1
Output type		2-wire
Nominal ratings		
Operating voltage	U_B	6 ... 30 V
Switching frequency	f	150 Hz
Hysteresis	H	5 ... 15 typ. 10 %

Release date: 2025-06-06 Date of issue: 2025-06-06 Filename: 912738_eng.pdf

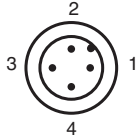
Technical Data

Reverse polarity protection		reverse polarity-conductive
Short-circuit protection		yes
Voltage drop	U_d	< 3 V DC
Operating current	I_L	2 ... 100 mA
Off-state current	I_r	< 400 μ A
Functional safety related parameters		
MTTF _d		970 a
Mission Time (T _M)		20 a
Diagnostic Coverage (DC)		0 %
Indicators/operating means		
Operation indicator		4-way LED Yellow: output
Compliance with standards and directives		
Standard conformity		
Standards		EN IEC 60947-5-2
Approvals and certificates		
UL approval		cULus Listed Load Type: General Purpose Circuitry: Class 2 Power Source Enclosure Type Rating: Type 1 Supply/Switching Voltage: 30 V DC Output Switching Current: 100 mA
CCC approval		CCC approval / marking not required for products rated \leq 36 V
Ambient conditions		
Ambient temperature		0 ... 70 °C (32 ... 158 °F)
Mechanical specifications		
Connection type		Connector plug
Housing material		Stainless steel 1.4305 / AISI 303
Sensing face		Stainless steel 1.4305 / AISI 303
Degree of protection		IP67
Connector		
Threading		M12 x 1
Number of pins		4
Mass		148 g
Dimensions		
Length		65 mm
Diameter		30 mm

Connection



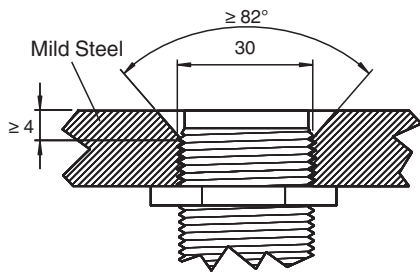
Connection Assignment



Wire colors in accordance with EN 60947-5-2

1	BN	(brown)
2	WH	(white)
3	BU	(blue)
4	BK	(black)

Mounting



Sensor face is flush with mounting surface.