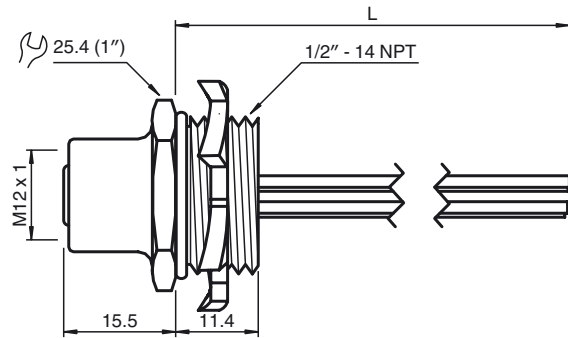


**Model Number****1/2" NPT-V1-G-.3M**

Female receptacle, M12/ 1/2" NPT, 4-pin

Dimensions**Technical data****General specifications**

Number of pins	4
Construction type	straight
Connection 1	socket
Threading 1	M12
Connection 2	cable end
Threading 2	1/2"

Electrical specifications

Operating voltage	U_B	max. 300 V AC/DC
Operating current		max. 4 A

Ambient conditions

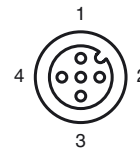
Ambient temperature	-40 ... 105 °C (-40 ... 221 °F)
---------------------	---------------------------------

Mechanical specifications

Degree of protection	IP67
Connection	Single strand leads
Material	anodized aluminum
Contacts	Gold plated copper alloy
Slotted nut	Zinc plated steel
Seal	BUNA-N
Cable	
Cores	4 x 0.34 mm ² , 22 AWG
Length	L 0.3 m
Note	1/2" - 14 NPT installation thread

Approvals and certificates

UL approval	cULus Listed, General Purpose
-------------	-------------------------------

Electrical connection**Electrical connection**

1	BN
2	WH
3	BU
4	BK