

Inductive sensor

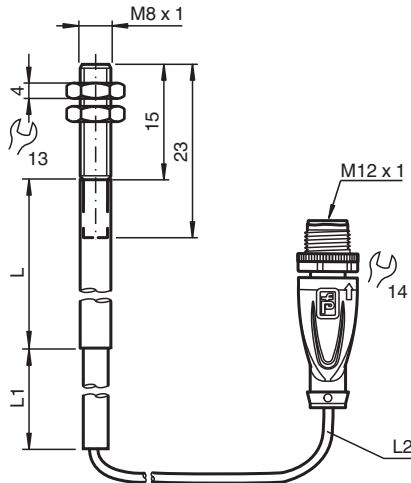
NMB3-8GM23-Z4-C-850MM-V1



- 3 mm flush
- Stainless steel sensing face
- Increased operating distance
- Weld Immune



Dimensions



Technical Data

General specifications

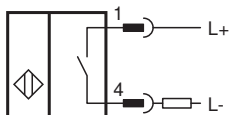
Switching function		Normally open (NO)
Output type		Two-wire
Rated operating distance	s_n	3 mm
Installation		flush
Output polarity		DC
Assured operating distance	s_a	0 ... 2.43 mm
Actuating element		Ferrous targets
Reduction factor r_{Al}		0.3
Reduction factor r_{304}		0.8
Output type		2-wire
Nominal ratings		
Operating voltage	U_B	6 ... 30 V DC
Switching frequency	f	5 Hz
Hysteresis	H	5 ... 15 typ. 10 %
Reverse polarity protection		reverse polarity-conductive
Short-circuit protection		pulsing

Release date: 2025-06-10 Date of issue: 2025-06-10 Filename: 913270_eng.pdf

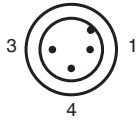
Technical Data

Voltage drop	U_d	$\leq 3 \text{ V}$
Operating current	I_L	2 ... 100 mA
Off-state current	I_r	$< 500 \mu\text{A}$
Switching state indicator		LED, red
Mag. Field strength, AC fields		250 mT
Mag. Field strength, DC fields		250 mT
Compliance with standards and directives		
Standard conformity		
Standards		EN IEC 60947-5-2
Approvals and certificates		
UL approval		cULus Listed Circuitry: Class 2 Power Source Enclosure Type Rating: Type 1 Supply/Switching Voltage: 30 V DC Output Switching Current: 100 mA
CCC approval		CCC approval / marking not required for products rated $\leq 36 \text{ V}$
Ambient conditions		
Ambient temperature		$-25 \dots 70 \text{ }^\circ\text{C}$ ($-13 \dots 158 \text{ }^\circ\text{F}$)
Mechanical specifications		
Connection type		fixed cable with plug
Housing material		Xylan coated - Stainless steel 1.4305 / AISI 303
Sensing face		Xylan coated - Stainless steel 1.4305 / AISI 303
Degree of protection		IP67
Connector		
Threading		M12 x 1
Tightening torque		$\leq 0.6 \text{ Nm}$
Number of pins		3
Cable		
Cable diameter		$4.8 \text{ mm} \pm 0.2 \text{ mm}$
Material		POC
Color		orange
Number of cores		4
Core cross section		0.34 mm^2
Length	L	500 mm further length specifications: L1 = 50 mm L2 = 300 mm
Mass		60 g
Dimensions		
Length		23 mm
Diameter		8 mm

Connection



Connection Assignment



Wire colors in accordance with EN 60947-5-2

1		BN	(brown)
3		BU	(blue)
4		BK	(black)