



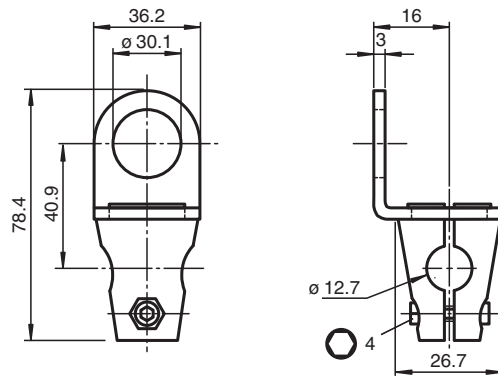
## Mounting aid

### MH 01-M30

- Suitable for M30 sensors
- Simple and fast mounting

Mounting brackets for sensors

## Dimensions



## Technical Data

### General specifications

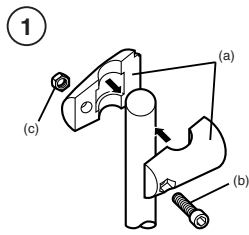
Inside diameter 30 mm

### Mechanical specifications

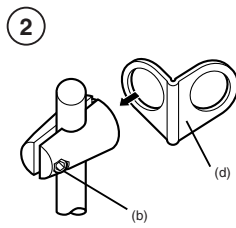
Material Clamping cylinder: Diecast zinc  
Support bracket: Steel

Note rod not included

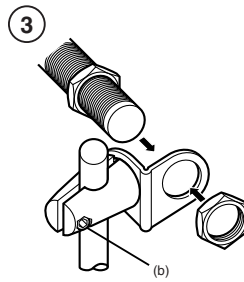
**Mounting**



Fasten the two parts of the mounting clamp (a) loosely by means of the screw (b) and the nut (c) supplied.



Attach the mounting bracket (d) and then tighten the screw (b) in such a way that the bracket can still be turned.



Tighten the screw fully after the sensor has been mounted and aligned.