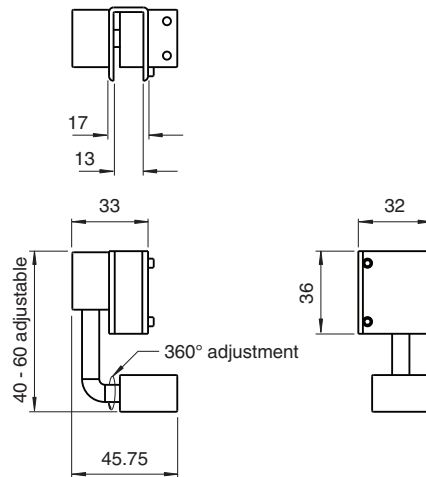


Mounting aid OMH-ML100-S1

- Simple installation
- Robust construction
- Secure mounting
- Mounting head and foot may be independently rotated through 360°

Mounting bracket

Dimensions



Technical Data

Ambient conditions

Ambient temperature -25 ... 85 °C (-13 ... 185 °F)

Mechanical specifications

Note For ML100 Series photoelectric sensors
Mounting hardware included