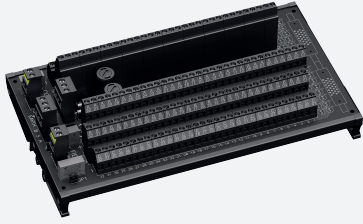


HART Termination Board

HiSHPSM/32/MM-01



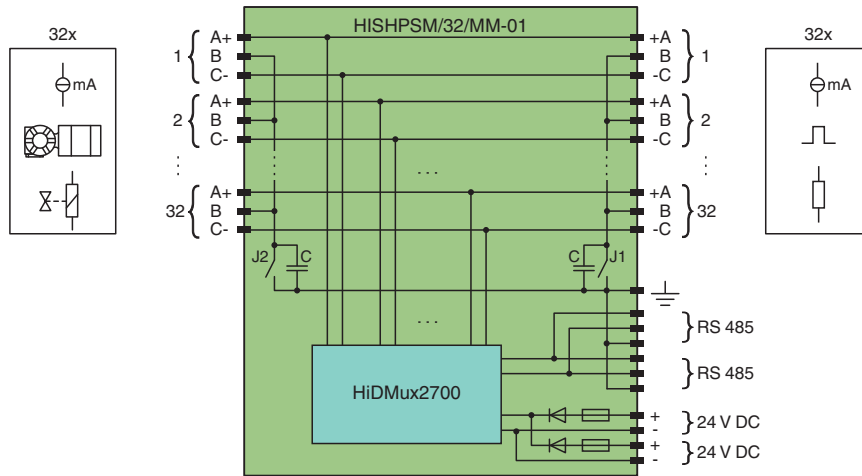
- 32-channel
- 24 V DC supply
- Interface for serial or parallel wiring options
- Dual RS 485 connections
- Slot for HART Multiplexer



Function

This HART Termination Board has 32 terminal blocks to connect up to 32 HART field devices. It contains one slot to mount the 32-channel HART Multiplexer Master type HiDMux2700. The Termination Board can be used for general-purpose applications or in conjunction with intrinsic safety barriers for hazardous applications. It offers fused redundant power supply connections. RS 485 terminals are redundant and can be daisy chained.

Connection



Technical Data

Supply	
Nominal voltage	24 V DC
Fusing	3.15 A , 5 x 20 mm (0.2 x 0.8 inch)
Power dissipation	0.7 W , with Multiplexer
Reverse polarity protection	yes
HART signal channels (intrinsically safe)	
HART signal channels	
Number of channels	32 unbalanced signal loops
Interface	
Type/number	2 x RS-485
Redundancy	
Supply	yes

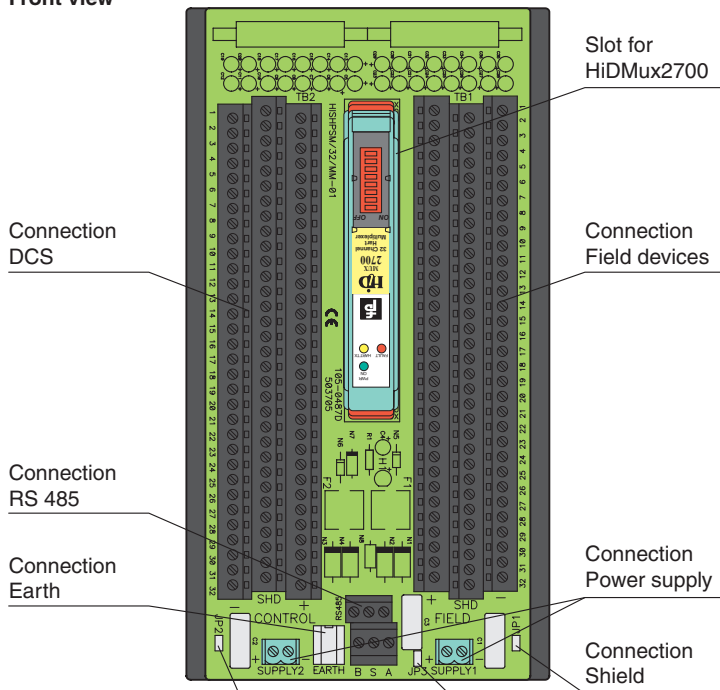
Release date: 2022-10-18 Date of issue: 2022-10-18 Filename: 915207_eng.pdf

Technical Data

Galvanic isolation	
HART signal channels	30 V DC
Ambient conditions	
Ambient temperature	-20 ... 55 °C (-4 ... 131 °F)
Relative humidity	5 ... 90 %, non-condensing
Mechanical specifications	
Core cross section	2.5 mm ² (16 AWG)
Connection	field side: fixed screw terminals control side: fixed screw terminals RS 485 interface: removable screw terminals power: removable screw terminals
Mass	approx. 500 g
Dimensions	222 x 122 x 208 mm (8.7 x 4.8 x 8.2 inch) (W x H x D) , depth including module assembly with HiDMux2700
Mounting	DIN rail mounting
Data for application in connection with hazardous areas	
Certificate	CML 17ATEX3337X II 3 G Ex ec IIC T4 Gc
Certificate	IECEX CML 17.0178X Ex ec IIC T4 Gc
General information	
Supplementary information	Observe the certificates, declarations of conformity, instruction manuals, and manuals where applicable. For information see www.pepperl-fuchs.com .

Assembly

Front view



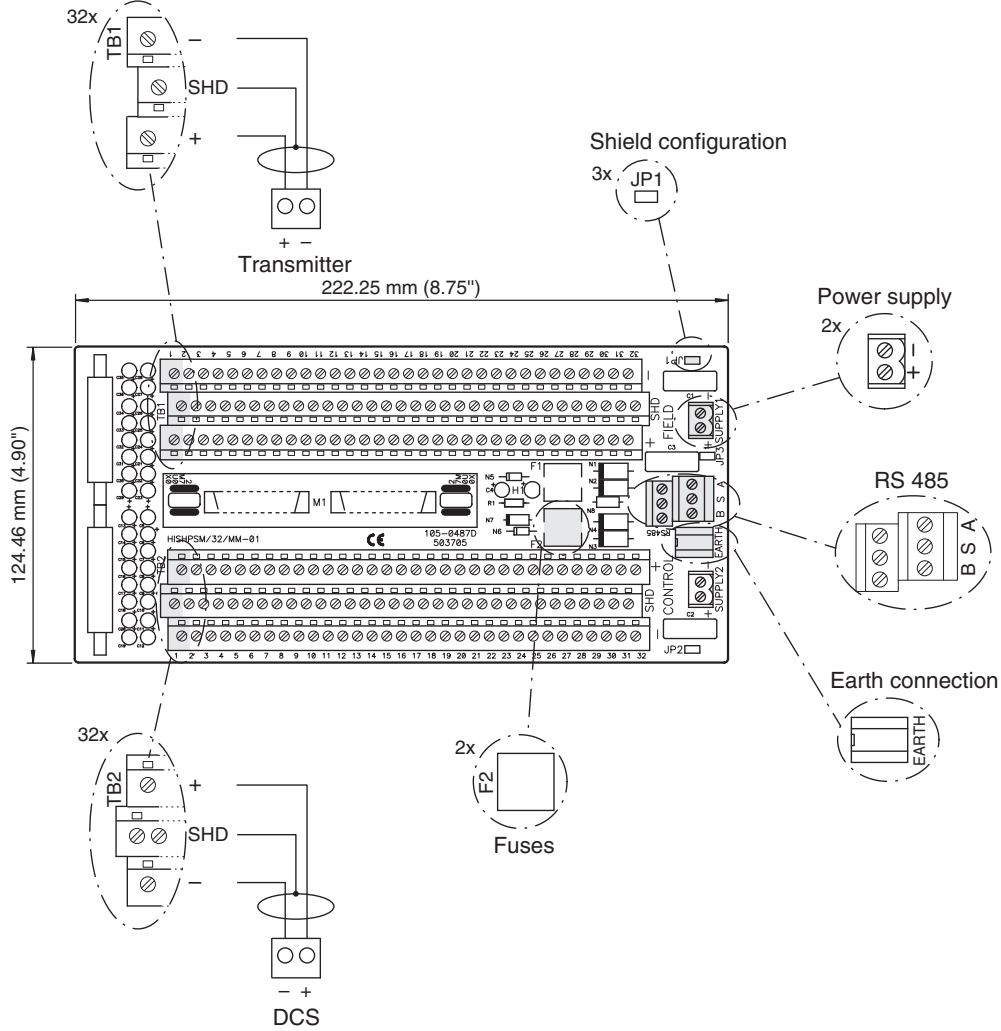
Release date: 2022-10-18 Date of issue: 2022-10-18 Filename: 915207_eng.pdf

Additional Information

Versions

HISHPSM/32/MM-01-C	coated version
HISHPSM/32/MM-01/MODV	special version for Dow Chemical

Connection



Release date: 2022-10-18 Date of issue: 2022-10-18 Filename: 915207_eng.pdf