

Mounting aid OMH-ML100-S2

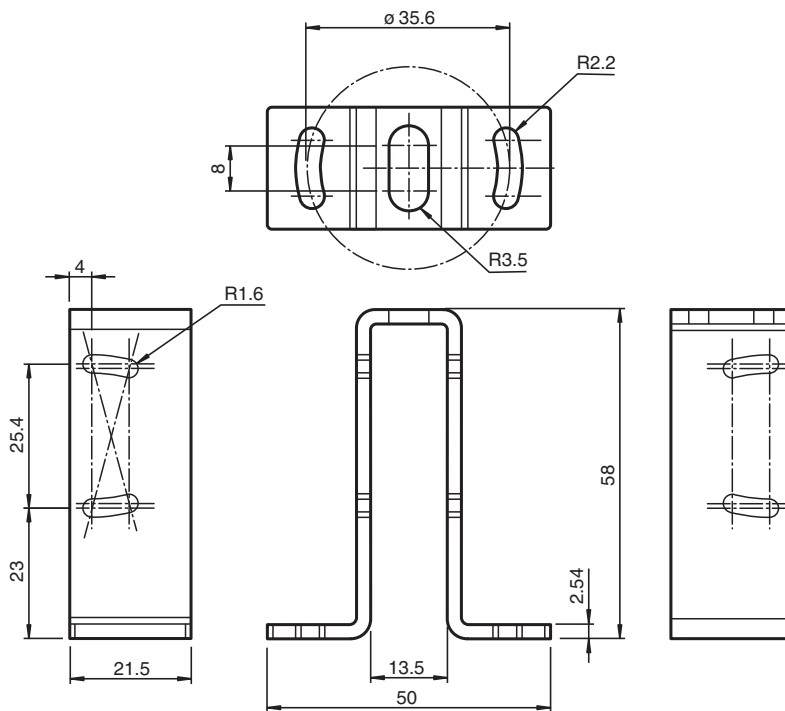


- Mounting bracket
- Simple and fast mounting

Mounting aid for ML100 series, mounting bracket



Dimensions



Technical Data

Mechanical specifications

| | |
|----------|-------------------------------|
| Material | Stainless steel |
| Mass | approx. 50 g |
| Mounting | Mounting accessories included |

Suitable series

| | |
|--------|-------|
| Series | ML100 |
|--------|-------|

Release date: 2020-03-24 Date of issue: 2020-06-30 Filename: 915471_eng.pdf