



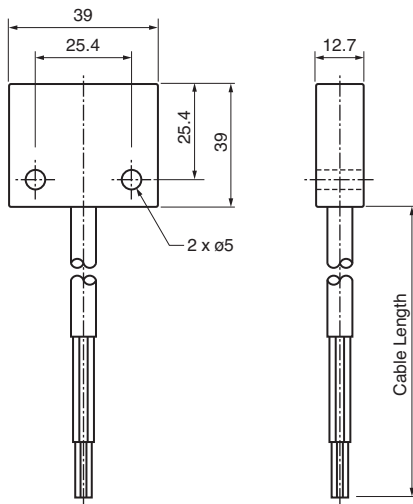
# Magnetic field sensor

## 50FY41-V4A-12

- Hall Effect Sensor
- Sensing range 2.5 mm
- 4-wire DC



### Dimensions



### Technical Data

General specifications		
Switching function		Normally open (NO)
Output type		PNP/NPN
Rated operating distance	$s_n$	2.5 mm at 0 mm offset, 1.3 mm at 3.5 mm offset, 0 mm at 4.0 mm offset
Installation		non-flush
Output polarity		DC
Output type		4-wire
Nominal ratings		
Operating voltage	$U_B$	10 ... 12 V
Short-circuit protection		NO
Voltage drop	$U_d$	7 V @ 10 K load, 12 V supply
Operating current	$I_L$	0.5 mA
Current consumption		30 mA
Compliance with standards and directives		
Standard conformity		

Release date: 2025-04-02 Date of issue: 2025-04-02 Filename: 915923\_eng.pdf

## Technical Data

Standards	IEC 60947-5-2:2012 IEC 60947-5-3:2013 IEC 61236-3-1:2008	
<b>Approvals and certificates</b>		
CE conformity	2014/30/EU	
UL approval	cULus Listed, General Purpose	
<b>Ambient conditions</b>		
Ambient temperature	-40 ... 100 °C (-40 ... 212 °F)	
<b>Mechanical specifications</b>		
Connection type	cable	
Housing material	316 stainless steel	
Sensing face	316 stainless steel	
Degree of protection	IP69K	
Cable		
Cable diameter	6.4 mm ± 0.4 mm	
Bending radius	> 10 x cable diameter	
Material	PVC	
Color	yellow	
Number of cores	4	
Core cross section	0.34 mm <sup>2</sup>	
Length	L	3.5 m
Dimensions		
Width	39 mm	
Depth	12.7 mm	
Length	39 mm	
Note	Only approved for use with FYQLA1-140R-3 and KE5D2-6H/2R-S Use only with actuator 52FY31-V4A	

## Connection

