



# Bullet WirelessHART Adapter WHA-BLT-F9D0-N-A0-Z1-1

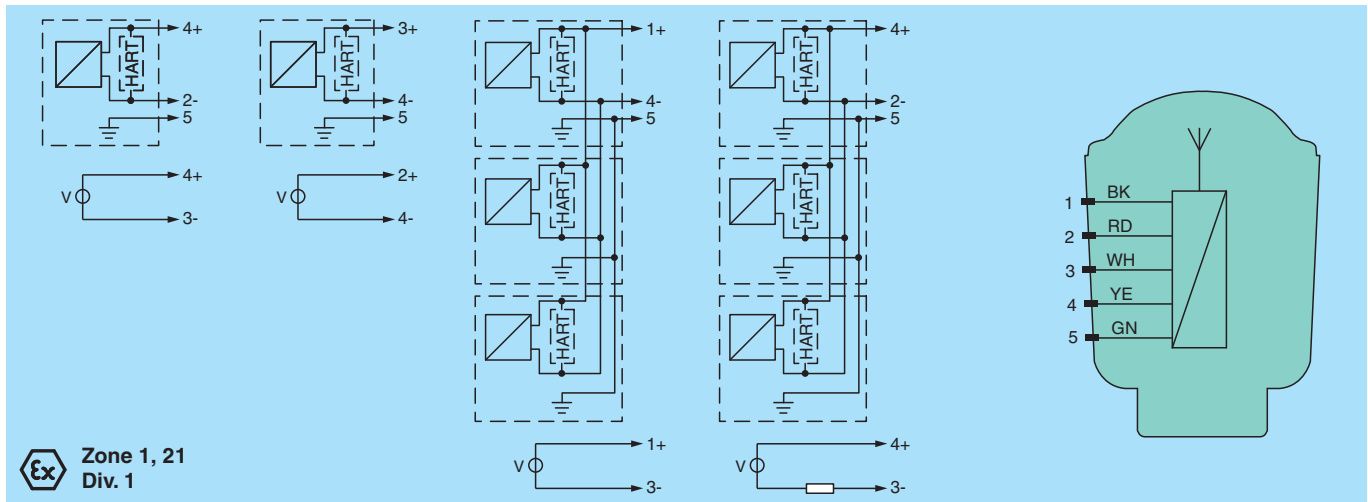
- Installation in Zone 1, 21
- Installation in Class I, II, Division 1
- Installation in Class III
- Ex d housing for Ex d field devices
- Cast aluminum housing
- Loop powered
- Direct mounting on HART or 4 mA ... 20 mA field device
- Encapsulated antenna
- Up to 8 field devices in multidrop



## Function

The device upgrades a conventional HART or 4 ... 20 mA field device with a WirelessHART interface. The supply is ensured via loop power. The adapter with type of protection Ex d can be used directly on a field device with type of protection Ex d. Up to 8 HART field devices can be connected to each other in multidrop mode. The encapsulated antenna allows for use in harsh environments. The device can be programmed with a configuration tool easily (DTM or DD).

## Connection



**Ex** Zone 1, 21  
Div. 1

## Technical Data

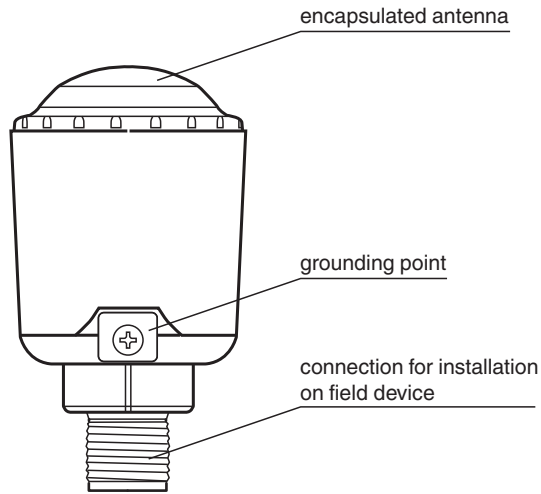
<b>Supply</b>	
Rated voltage	$U_r$ 7 ... 32 V DC
Rated current	$I_r$ < 1 mA, max. 25 mA
<b>Electrical specifications</b>	
Output rated operating current	3.2 ... 25 mA
Supply	loop power for field devices voltage: 1 ... 2.5 V DC, adjustable in steps of 0.5 V
<b>Input</b>	
Connection	- 5 wires, 600 mm long, exiting from male thread NPT1/2 - 1 external grounding point
<b>HART communication</b>	
Protocol	HART 7.1, backward compatible
Number of devices	up to 8 HART field devices (depending on installation)

Release date: 2023-01-02 Date of issue: 2023-01-02 Filename: 916969\_eng.pdf

## Technical Data

<b>Output</b>	
Interface	internal antenna
Communication	WirelessHART specifications - physical layer: IEEE 802.15.4.2006 - frequency band: 2.4 GHz (ISM band, licence free) - maximum transmit power: +10 dBm - outdoor transmission range: 235 m - communication standard: WirelessHART acc. to IEC 62591
<b>Directive conformity</b>	
Radio and telecommunication terminal equipment	The usage of 2.4 GHz equipment is bound to local restrictions. Ensure that restrictions allow usage of this product before commissioning.
Directive 2014/53/EU	EN 300 328 V2.1.1:2016 EN 301 489-1 V2.2.0:2017 EN 301 489-17 V3.2.0:2017
FCC CFR47 Part 15 B and C	ANSI C63.4-2003 , FCC ID: X89-WA1101
<b>Conformity</b>	
Degree of protection	IEC 60529:2013
<b>Ambient conditions</b>	
Ambient temperature	temperature class T5: -40 ... 85 °C (-40 ... 185 °F) temperature class T6: -40 ... 75 °C (-40 ... 167 °F)
Storage temperature	-40 ... 85 °C (-40 ... 185 °F)
Relative humidity	max. 100 %
<b>Mechanical specifications</b>	
Degree of protection	IP67
Material	aluminum alloy with polyurethane enamel paint
Mass	460 g
Dimensions	60.8 x 60.8 x 100 mm (l x w x h)
<b>Data for application in connection with hazardous areas</b>	
EU-type examination certificate	FM 17 ATEX 0046 X
Marking	Ⓜ II 2 G Ex db IIC T6...T5 Gb Ⓜ II 2 D Ex tb IIIC T95°C Db
Directive conformity	
Directive 2014/34/EU	EN 60079-0:2012+A11:2013 , EN 60079-1:2014 , EN 60079-31:2014
<b>International approvals</b>	
FM approval	FM 17 NUS 0010 FM 17 US 0191 X
Control drawing	116-0425 (cFMus)
Approved for	XP Class I, II, III, Division 1, Groups A-G Class I, Zone 1, AEx db IIC T6...T5 Gb Zone 21, AEx tb IIIC T95°C Db
CSA approval	FM 17 NCA 0004 FM 17 CA 0102 X
Control drawing	116-0425 (cFMus)
Approved for	XP Class I, II, III, Division 1, Groups A-G Ex db IIC T6...T5 Gb Ex tb IIIC T95°C Db
IECEX approval	
IECEX certificate	IECEX FMG 17.0020X
IECEX marking	Ex db IIC T6...T5 Gb , Ex tb IIIC T95°C Db
Standards	IEC 60079-0:2011 , IEC 60079-1:2014 , IEC 60079-31:2013
<b>General information</b>	
Supplementary information	Observe the certificates, declarations of conformity, instruction manuals, and manuals where applicable. For information see <a href="http://www.pepperl-fuchs.com">www.pepperl-fuchs.com</a> .

## Assembly



## Accessories

	<b>DTM WirelessHART Adapter "Bullet"</b>	DTM collection
	AD.*.*.*.*	Adapter