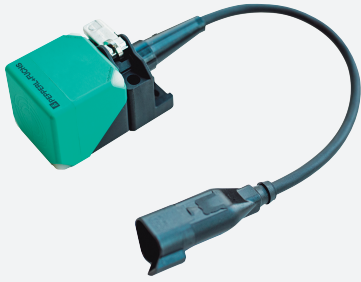
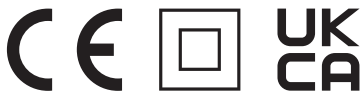


Inductive sensor

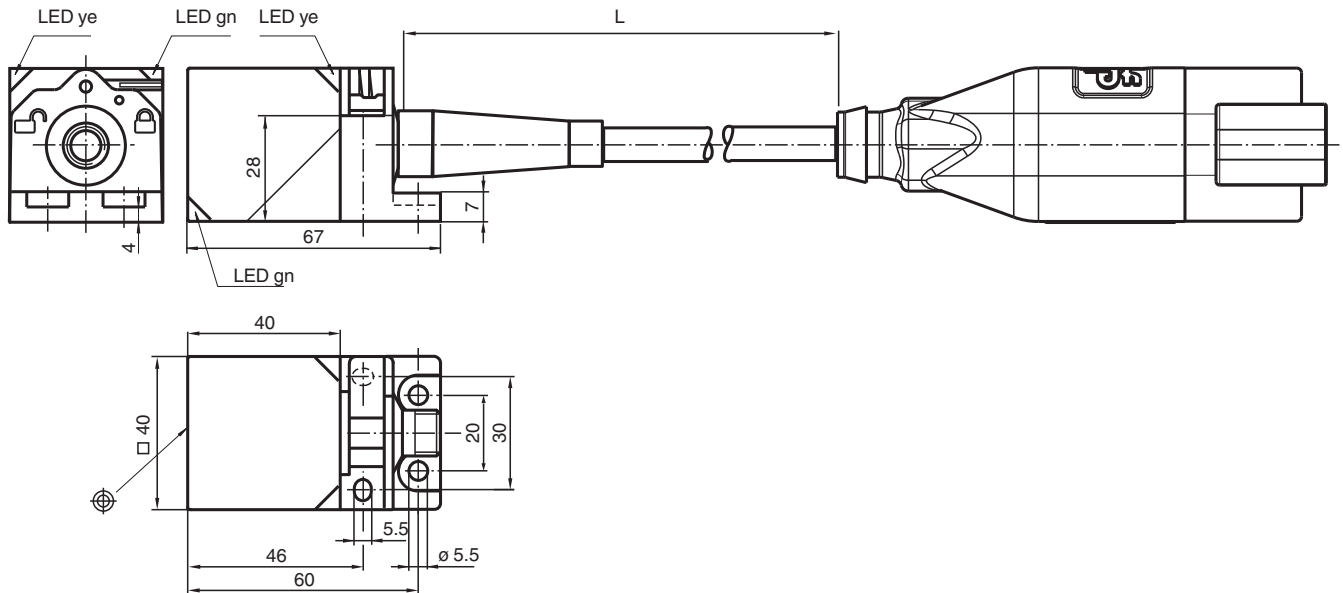
NBN40-L2-E2-220MM-3DT04



- Sensor head bidirectional and rotatable
- 40 mm non-flush
- 3-wire DC
- Quick mounting bracket
- 4-way LED indicator
- Deutsch connector 3-pin



Dimensions



Technical Data

General specifications

| | | |
|------------------------------|-------|--------------------|
| Switching function | | Normally open (NO) |
| Output type | | PNP |
| Rated operating distance | s_n | 40 mm |
| Installation | | non-flush |
| Output polarity | | DC |
| Assured operating distance | s_a | 0 ... 32.4 mm |
| Actual operating distance | s_r | 36 ... 44 mm |
| Reduction factor r_{Al} | | 0.33 |
| Reduction factor r_{Cu} | | 0.31 |
| Reduction factor r_{304} | | 0.74 |
| Reduction factor r_{Brass} | | 0.38 |
| Output type | | 3-wire |

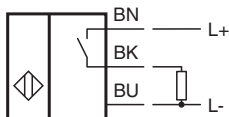
Nominal ratings

Release date: 2024-05-28 Date of issue: 2024-06-01 Filename: 917008_eng.pdf

Technical Data

| | | |
|---|-------|---|
| Operating voltage | U_B | 10 ... 30 V DC |
| Switching frequency | f | 0 ... 180 Hz |
| Hysteresis | H | typ. 5 % |
| Reverse polarity protection | | reverse polarity protected |
| Short-circuit protection | | pulsing |
| Voltage drop | U_d | ≤ 2 V |
| Operating current | I_L | 0 ... 200 mA |
| Off-state current | I_r | 0 ... 0.5 mA |
| No-load supply current | I_0 | ≤ 20 mA |
| Time delay before availability | t_v | 80 ms |
| Operating voltage indicator | | LED, green |
| Switching state indicator | | LED, yellow |
| Functional safety related parameters | | |
| MTTF _d | | 1510 a |
| Mission Time (T _M) | | 20 a |
| Diagnostic Coverage (DC) | | 0 % |
| Compliance with standards and directives | | |
| Standard conformity | | |
| Standards | | EN IEC 60947-5-2 |
| Ambient conditions | | |
| Ambient temperature | | -25 ... 85 °C (-13 ... 185 °F) |
| Storage temperature | | -40 ... 85 °C (-40 ... 185 °F) |
| Mechanical specifications | | |
| Connection type | | fixed cable with plug |
| Core cross section | | 3 x 0.75 mm ² |
| Housing material | | PA |
| Sensing face | | PA |
| Degree of protection | | IP68 |
| Connector | | Deutsch connector |
| Number of pins | | 3 |
| Connection assembly | | Deutsch connector DT04-3P-CE02 Deutsch wedge W3P Deutsch contact 1060-16-0622 |
| Cable | | |
| Length | L | $L = 220$ mm |
| Dimensions | | |
| Height | | 40 mm |
| Width | | 40 mm |
| Length | | 67 mm |

Connection



Wire colors

| | | |
|---|--|----|
| A | | BN |
| B | | BU |
| C | | BK |

Release date: 2024-05-28 Date of issue: 2024-06-01 Filename: 917008_eng.pdf