

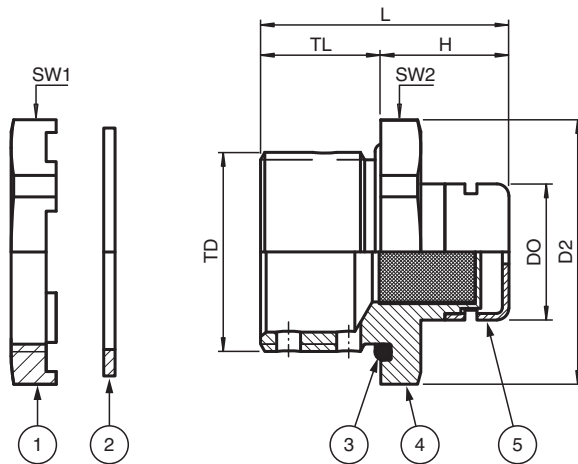


Breather Drain, Metal BDRV-1NX.K01

- Ex eb and Ex tb certified
- Suitable for operation in Zone 1, Zone 2, Zone 21 and Zone 22
- Stainless Steel
- Thread NPT 1/2"
- Seal silicone
- Packaging unit: 1 piece, kit with accessories



Dimensions



Details see data table

| Legend | |
|--------|--|
| 1 | Castellated locknut |
| 2 | Washer gasket (accessory, metric threads only) |
| 3 | O-Ring (metric threads only) |
| 4 | Breather drain |
| 5 | Ventilation cap |
| D2 | Width across corners |
| DO | Outer diameter |
| H | Length outside enclosure |
| L | Total length |
| SW* | Width across flats |
| TD | Thread size |
| TL | Thread length |

Release date: 2024-07-17 Date of issue: 2024-07-17 Filename: 921295_eng.pdf

Technical Data

| Mechanical specifications | |
|---|--|
| Thread type | NPT ANSI ASME B1.20.1 |
| Thread size (TD) | NPT 1/2" |
| Degree of protection | IP66 |
| Material | |
| Finish | inherent color silver |
| Breather drain | Stainless steel 1.4404 / AISI 316L |
| Mass | |
| Individual component | approx. 51 g |
| Packing unit | approx. 61 g |
| Dimensions | |
| Width across corners (D2) | 27.5 mm |
| Outer diameter (DO) | 17 mm |
| Length outside enclosure (H) | 16 mm |
| Width across flats (SW1) | 25 mm |
| Width across flats (SW2) | 25 mm |
| Thread length (TL) | 16 mm |
| Total length (L) | 32 mm |
| Tightening torque | |
| Nut torque at enclosure (SW1) | 2 Nm |
| Nut torque 2 (SW2) | 2 Nm |
| Ambient conditions | |
| Ambient temperature | -60 ... 85 °C (-76 ... 185 °F) washer gasket: -50 ... 80 °C (-58 ... 176 °F) |
| Data for application in connection with hazardous areas | |
| EU-type examination certificate | IMQ 13 ATEX 030X |
| Marking | ⊕ II 2 GD Ex eb IIC Gb Ex tb IIIC Db |
| International approvals | |
| UL approval | |
| cULus | E350312 tested to UL 508A E350312 tested to CSA C22.2 |
| IECEx approval | IECEx IMQ 14.0003X |
| UKCA approval | CML 21 UKEX 3475X |
| Conformity | |
| Degree of protection | EN 60079-0 |
| General information | |
| Delivery quantity | 1 |
| Scope of delivery | Breather Drain, Metal locknut Brief instructions |
| Supplementary information | EC-Type Examination Certificate, Statement of Conformity, Declaration of Conformity, Attestation of Conformity and instructions have to be observed where applicable. For information see www.pepperl-fuchs.com . |