

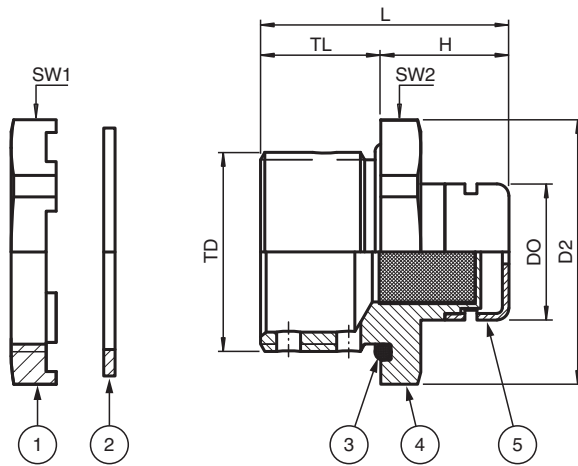


Breather Drain, Metal BDRV-1NX.K35

- Ex eb and Ex tb certified
- Suitable for operation in Zone 1, Zone 2, Zone 21 and Zone 22
- Stainless Steel
- Thread NPT 1/2"
- Seal silicone
- Packaging unit: 35 pieces, with accessories



Dimensions



Details see data table

Legend	
1	Castellated locknut
2	Washer gasket (accessory, metric threads only)
3	O-Ring (metric threads only)
4	Breather drain
5	Ventilation cap
D2	Width across corners
DO	Outer diameter
H	Length outside enclosure
L	Total length
SW*	Width across flats
TD	Thread size
TL	Thread length

Release date: 2024-07-18 Date of issue: 2024-07-18 Filename: 921299_eng.pdf

Technical Data

Mechanical specifications	
Thread type	NPT ANSI ASME B1.20.1
Thread size (TD)	NPT 1/2"
Degree of protection	IP66
Material	
Finish	inherent color silver
Breather drain	Stainless steel 1.4404 / AISI 316L
Mass	
Individual component	approx. 51 g
Packing unit	approx. 1.96 kg
Dimensions	
Width across corners (D2)	27.5 mm
Outer diameter (DO)	17 mm
Length outside enclosure (H)	16 mm
Width across flats (SW1)	25 mm
Width across flats (SW2)	25 mm
Thread length (TL)	16 mm
Total length (L)	32 mm
Tightening torque	
Nut torque at enclosure (SW1)	2 Nm
Nut torque 2 (SW2)	2 Nm
Ambient conditions	
Ambient temperature	-60 ... 85 °C (-76 ... 185 °F) washer gasket: -50 ... 80 °C (-58 ... 176 °F)
Data for application in connection with hazardous areas	
EU-type examination certificate	IMQ 13 ATEX 030X
Marking	⊕ II 2 GD Ex eb IIC Gb Ex tb IIIC Db
International approvals	
UL approval	
cULus	E350312 tested to UL 508A E350312 tested to CSA C22.2
IECEx approval	IECEx IMQ 14.0003X
UKCA approval	CML 21 UKEX 3475X
Conformity	
Degree of protection	EN 60079-0
General information	
Delivery quantity	35
Scope of delivery	Breather Drain, Metal locknut Brief instructions (1 copy)
Supplementary information	EC-Type Examination Certificate, Statement of Conformity, Declaration of Conformity, Attestation of Conformity and instructions have to be observed where applicable. For information see www.pepperl-fuchs.com .