



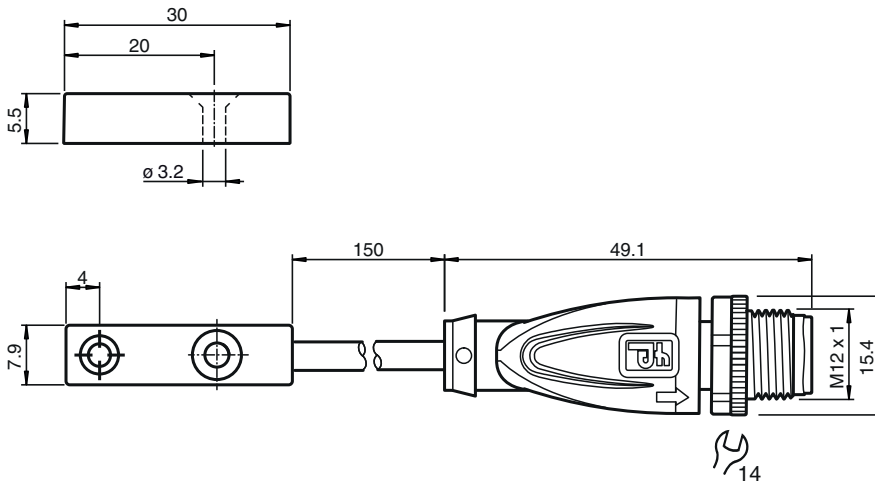
## Inductive sensor

### NMB2-F76M-E2-C-FE-150MM-V1

- 3-wire DC
- Sensing range 2 mm
- Stainless steel sensing face
- Ferrous targets
- 150 mm male cordset with POC jacket
- Weld field immune
- Weld slag resistant coating



## Dimensions



## Technical Data

### General specifications

Switching function		Normally open (NO)
Output type		PNP
Rated operating distance	$s_n$	2 mm
Installation		flush Note: Sensor can be recessed 0.5 mm in steel with no effect on the sensing field.
Assured operating distance	$s_a$	0 ... 1.62 mm
Actuating element		Ferrous targets
Reduction factor $r_{Al}$		0
Reduction factor $r_{Cu}$		0
Reduction factor $r_{304}$		0.6 - 0.8
Reduction factor $r_{Brass}$		0
Output type		3-wire

### Nominal ratings

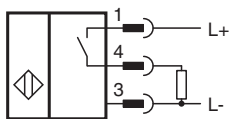
Operating voltage	$U_B$	10 ... 30 V DC
Switching frequency	$f$	80 Hz
Hysteresis	$H$	typ. 5 %
Reverse polarity protection		reverse polarity protected

Release date: 2025-02-24 Date of issue: 2025-02-25 Filename: 921934\_eng.pdf

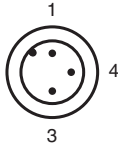
## Technical Data

Short-circuit protection		pulsing
Voltage drop	$U_d$	$\leq 2 \text{ V}$
Operating current	$I_L$	$\leq 200 \text{ mA}$
Current consumption		$\leq 22 \text{ mA}$
Off-state current	$I_r$	$\leq 10 \mu\text{A}$
No-load supply current	$I_0$	$\leq 15 \text{ mA}$
<b>Functional safety related parameters</b>		
MTTF <sub>d</sub>		828 a
Mission Time (T <sub>M</sub> )		20 a
Diagnostic Coverage (DC)		0 %
<b>Indicators/operating means</b>		
Operation indicator		Dual LED green: power yellow: Output
<b>Compliance with standards and directives</b>		
Standard conformity		
Standards		EN IEC 60947-5-2
<b>Approvals and certificates</b>		
CCC approval		CCC approval / marking not required for products rated $\leq 36 \text{ V}$
<b>Ambient conditions</b>		
Ambient temperature		-10 ... 70 °C (14 ... 158 °F)
Shock resistance		30 g 11 ms 3 planes
<b>Mechanical specifications</b>		
Connection type		fixed cable with plug
Housing material		Xylan coated - Stainless steel 1.4305 / AISI 303
Sensing face		Xylan coated - Stainless steel 1.4305 / AISI 303
Degree of protection		IP67
Connector		
Threading		M12 x 1
Tightening torque		$\leq 0.6 \text{ Nm}$
Number of pins		3
Cable		
Cable diameter		4.8 mm $\pm$ 0.2 mm
Material		POC
Color		orange
Number of cores		4
Core cross section		0.34 mm <sup>2</sup>
Length	L	150 mm
<b>Dimensions</b>		
Height		5.5 mm
Width		7.9 mm
Length		30 mm

## Connection



## Connection Assignment



Wire colors in accordance with EN 60947-5-2

1		BN	(brown)
3		BU	(blue)
4		BK	(black)