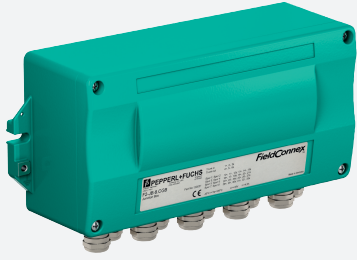


Field Junction Box

FieldConnex® Fieldbus

F2-JB-*.*



- 4 ... 8 outputs selectable
- Installation in non-explosion hazardous area
- Instruments in non-explosion hazardous area
- For FOUNDATION Fieldbus H1 and PROFIBUS PA
- Supports FISCO and Entity

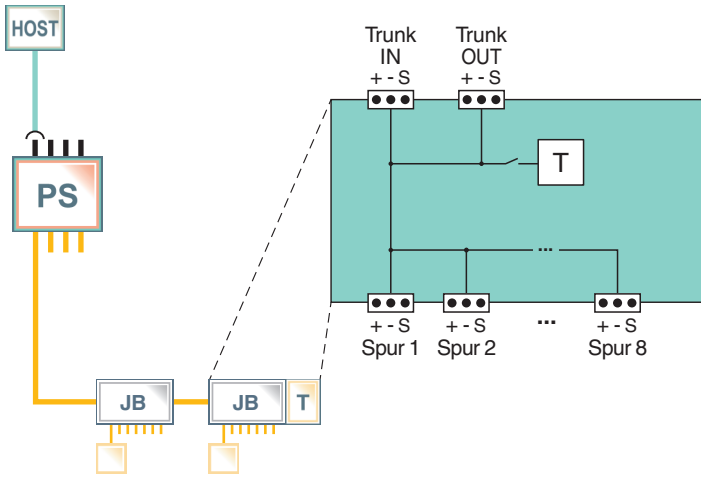
Field junction box, stand-alone device in aluminum housing for field installation



Function

The fieldbus junction box is a passive device coupler that connects instruments to segments. The housing (type F2) is made of sturdy aluminum for installation in rough environments. A choice of fixed screw terminals or plug-in spring clamp connectors is available. Hard and capacitive grounding concepts are selectable via jumper.

Connection



Technical Data

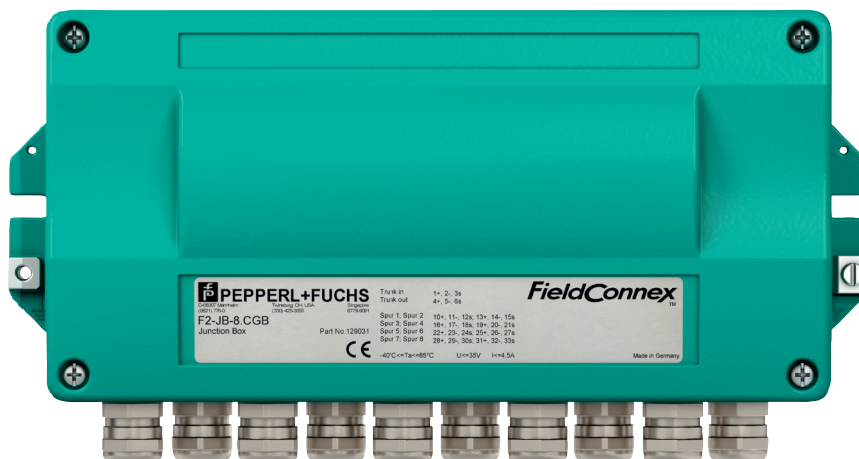
General specifications	
Design / Mounting	Outside installation
Fieldbus connection	
Main cable (Trunk)	
Cable entry type	Cable gland
Connection	input (Trunk IN): terminals 1+, 2-, 3s output (Trunk OUT): terminals 4+, 5-, 6s
Rated voltage	max. 35 V DC
Rated current	3 A DC at 70°C, reduction 0.1A/K
Outputs	
Number of outputs	see table "Technical data depending on model"
Cable entry type	Cable gland

Release date: 2025-01-20 Date of issue: 2025-01-20 Filename: t151707_eng.pdf

Technical Data

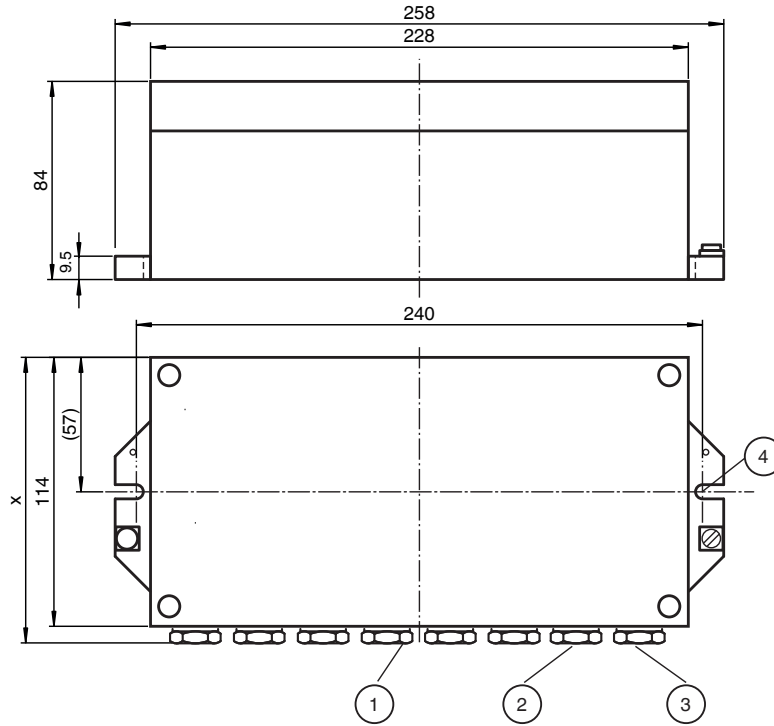
Connection	Spur 1: terminals 10+, 11-, 12s Spur 2: terminals 13+, 14-, 15s Spur 3: terminals 16+, 17-, 18s Spur 4: terminals 19+, 20-, 21s Spur 5: terminals 22+, 23-, 24s Spur 6: terminals 25+, 26-, 27s Spur 7: terminals 28+, 29-, 30s Spur 8: terminals 31+, 32-, 33s
Cable length	
Rated voltage	see main cable
Rated current	see main cable
Directive conformity	
Electromagnetic compatibility	
Directive 2004/108/EC	EN 61326-1:2006
Standard conformity	
Electromagnetic compatibility	NAMUR NE 21
Degree of protection	IEC/EN 60529
Fieldbus standard	IEC 61158-2
Climatic conditions	DIN IEC 721
Ambient conditions	
Ambient temperature	see table
Storage temperature	-40 ... 85 °C (-40 ... 185 °F)
Mechanical specifications	
Connection type	screw terminal , fixed
Core cross section	up to 2.5 mm ²
Housing	258 mm x 114 mm x 84 mm (without cable glands)
Housing material	Aluminum
Degree of protection	IP67
Mass	1800 g
Mounting	wall mounting

Product Photo



Additional Information

Dimensions



- x Height see table 2
 - 1 Output types and sizes (AF) see table 2
 - 2 Trunk IN connector
 - 3 Trunk OUT socket
 - 4 Notch for fixing with M6 screws
- All dimensions in millimeters (mm) and without tolerance indication.

Accessories

Cover:	Form seal	F 2 04-AVP3E
Plug socket M12:	Stopping plug	VAZ-V1-B*

Product Versions

Versions of Cable Glands and Number of Outputs

Identification (*)	Type of cable gland	Number of outputs (spurs)			Height X (mm)	AF (mm)
		4	6	8		
CG	Plastic	x	x	x	140	20
CGB	Nickel plated brass	x	x	x	140	20
CGS	Stainless steel	x	x		140	22
CGAB	Nickel plated brass, for armored cable	x			160	24

(x) = available version
 Example for designation F2-JB-#.*:
 Fieldbus junction box with 8 outputs, nickel plated brass gland = F2-JB-8.CGB

Cable Diameter

Identification F2-JB-...*	Cable diameter (mm)
CG	5 ... 10
CGB	5 ... 10
CGS	5 ... 10

Release date: 2025-01-20 Date of issue: 2025-01-20 Filename: t151707_eng.pdf

Identification F2-JB-...*	Cable diameter (mm)
CGAB	8.5 ... 16 external 6 ... 12 internal 0 ... 1.25 armor

Ambient Temperature Range

Identification F2-JB-...*	Temperature range (°C)
CG	-20 °C ... +85 °C
CGB	-40 °C ... +85 °C
CGS	-40 °C ... +85 °C
CGAB	-40 °C ... +85 °C