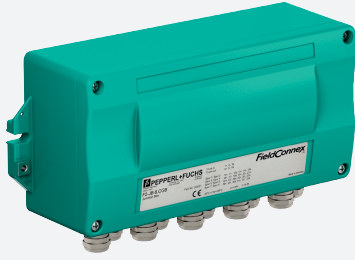


# Field Junction Box

## FieldConnex® Fieldbus

### F2-JB-I\*.\*



- 4 ... 8 outputs Ex ia, ib
- Installation in Zone 1/Div. 1
- Instruments in Zone 0...1/Div. 1
- Trunk and spurs intrinsically safe
- For FOUNDATION Fieldbus H1 and PROFIBUS PA
- Supports FISCO and Entity

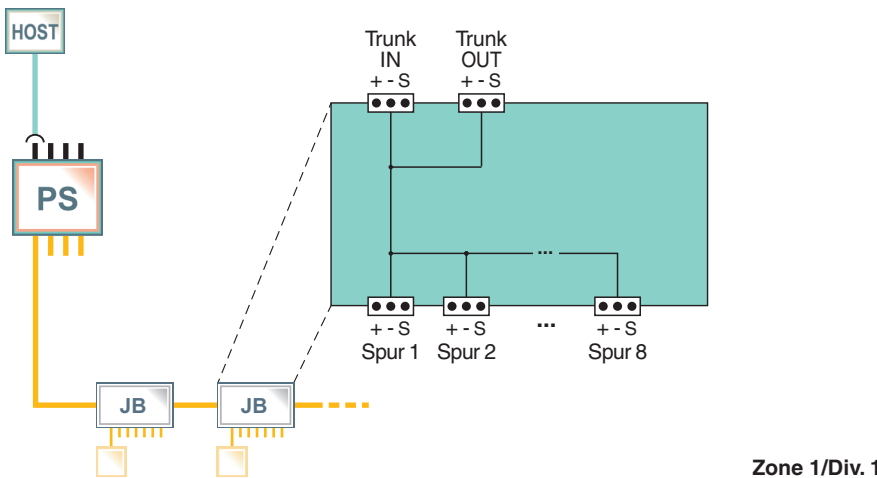
Field junction box, stand-alone device in aluminum housing for field installation



### Function

The fieldbus junction box is a passive device coupler that connects instruments to intrinsically safe segments. The housing (type F2) is made of sturdy aluminum for installation in rough environments Zone 1/Division 1. As an associated apparatus, the junction box is permitted for trunk and spur connections that are rated intrinsically safe (Ex ia, Ex ib) for instruments located in Zone 0 ... 1/Division 1. A choice of fixed screw terminals or plug-in spring terminals is available. Hard and capacitive grounding concepts are selectable via jumper.

### Connection



### Technical Data

#### General specifications

Design / Mounting	Outside installation
Installation in hazardous area	Zone 1 / Div. 1

#### Fieldbus connection

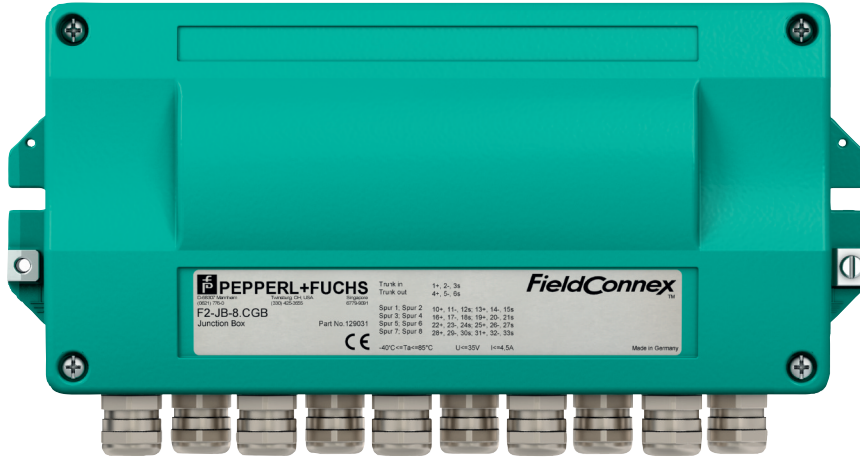
Main cable (Trunk)	
Cable entry type	Cable gland
Connection	input (Trunk IN): terminals 1+, 2-, 3s output (Trunk OUT): terminals 4+, 5-, 6s
Rated voltage	max. 35 V DC
Rated current	3 A DC
Outputs	
Number of outputs	see table "Technical data depending on model"

Release date: 2025-01-20 Date of issue: 2025-01-20 Filename: t151710\_eng.pdf

## Technical Data

<b>Cable entry type</b>		<b>Cable gland</b>
Connection		Spur 1: terminals 10+, 11-, 12s Spur 2: terminals 13+, 14-, 15s Spur 3: terminals 16+, 17-, 18s Spur 4: terminals 19+, 20-, 21s Spur 5: terminals 22+, 23-, 24s Spur 6: terminals 25+, 26-, 27s Spur 7: terminals 28+, 29-, 30s Spur 8: terminals 31+, 32-, 33s
Rated voltage		see main cable
Rated current		see main cable
<b>Directive conformity</b>		
Electromagnetic compatibility		
Directive 2004/108/EC		EN 61326-1:2006
<b>Standard conformity</b>		
Electromagnetic compatibility		NAMUR NE 21, EN 61326
Degree of protection		IEC/EN 60529
Fieldbus standard		IEC 61158-2
Climatic conditions		DIN IEC 721
<b>Ambient conditions</b>		
Ambient temperature		see table
Storage temperature		-40 ... 85 °C (-40 ... 185 °F)
<b>Mechanical specifications</b>		
Connection type		screw terminal , fixed
Core cross section		up to 2.5 mm <sup>2</sup>
Cable diameter		
Main cable (Trunk)		5 ... 10 mm
Housing		258 mm x 114 mm x 84 mm (without cable glands)
Housing material		Aluminum
Degree of protection		IP67
Mass		1800 g
Mounting		wall mounting
<b>Data for application in connection with hazardous areas</b>		
Main cable (Trunk)		only for connection to intrinsically safe fieldbus circuits
Maximum values		
Voltage $U_i$		max. 35 V
Current $I_i$		max. 3 A
Directive conformity		Standards
Directive 2014/34/EU		EN 60079-0:2012 , EN 60079-11:2012

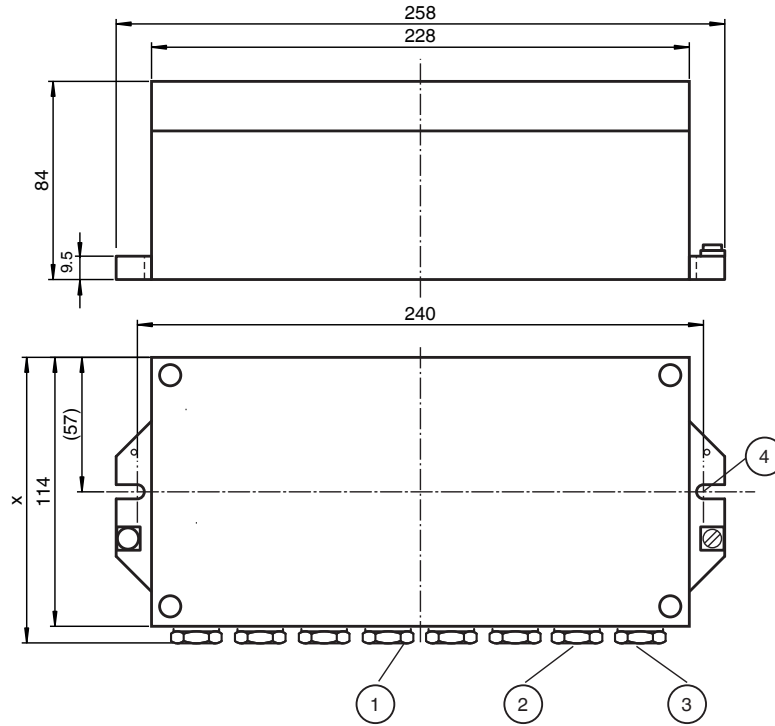
Product Photo



Release date: 2025-01-20 Date of issue: 2025-01-20 Filename: t151710\_eng.pdf

**Additional Information**

**Dimensions**



- x Height see table 2
  - 1 Output types and sizes (AF) see table 2
  - 2 Trunk IN connector
  - 3 Trunk OUT socket
  - 4 Notch for fixing with M6 screws
- All dimensions in millimeters (mm) and without tolerance indication.

**Accessories**

Cover:	Form seal	F 2 04-AVP3E
Plug socket M12:	Stopping plug	VAZ-V1-B*

**Product Versions**

**Versions of Cable Glands and Number of Outputs**

Identification (*)	Type of cable gland	Number of outputs (spurs)			Height X (mm)	AF (mm)
		4	6	8		
CG	Plastic	x	x	x	140	20
CGB	Nickel plated brass	x	x	x	140	20
CGS	Stainless steel	x	x		140	22
CGAB	Nickel plated brass, for armored cable	x			160	24

(x) = available version

Example for designation F2-JB-I\*.\*:

Fieldbus junction box, intrinsically safe version with 6 outputs, stainless steel gland = F2-JB-I6.CGS

**Cable Diameter**

Identification F2-JB-...*	Cable diameter (mm)
CG	5 ... 10
CGB	5 ... 10

Release date: 2025-01-20 Date of issue: 2025-01-20 Filename: t151710\_eng.pdf

## Field Junction Box

F2-JB-I\*.\*

Identification F2-JB-...*	Cable diameter (mm)
CGS	5 ... 10
CGAB	8.5 ... 16 external 6 ... 12 internal 0 ... 1.25 armor

### Ambient Temperature Range

Identification F2-JB-...*	Temperature range (°C)
CG	-30 °C ... +70 °C
CGB	-40 °C ... +85 °C
CGS	-40 °C ... +85 °C
CGAB	-40 °C ... +85 °C

Release date: 2025-01-20 Date of issue: 2025-01-20 Filename: t151710\_eng.pdf