

# Electronic Earthing System (Resistive and Capacitive)

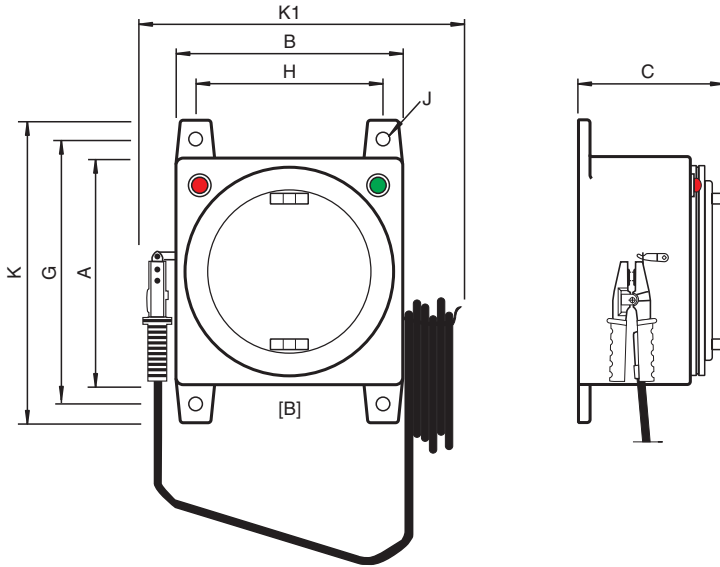
## GUB3L\*DMT\*



- Elimination of electrostatic charges
- Copper-free aluminum enclosure
- Installation in Zone 1, Zone 2, Zone 21 and Zone 22
- Ex d and Ex tb certified
- Gas group IIC
- Degree of protection: IP 65



### Dimensions



## Dimensions

Dimension values see data table.

Real values might differ slightly due to manufacturing tolerances.

Dimensions are valid for standard enclosures and IP66 variants only.

Image and drawing are generic for this device type and may deviate from the specific variant.

Legend	
A	Height
B	Width
C	Depth
G	Mounting holes distance, vertical
H	Mounting holes distance, horizontal
J	Mounting holes diameter
K	Maximum external dimension of mounting brackets
K1	Maximum external dimension with clamp and cable hook
[B]	Cable entry face

## Technical Data

### Electrical specifications

Operating voltage	230 V AC , optional 110 V AC
Function	elimination of electrostatic charges
Lens color	red and green
Operator action	Cable: hydrocarbon-resistant, 3x 3 mm <sup>2</sup> , length 8 m. Other lengths on request. Connection clamp: Aluminum with phosphor bronze contacts, isolating thermoplastic handles

### Mechanical specifications

Thread type	metric ISO pitch 1.5 mm or NPT ANSI ASME B1.20.1
Enclosure cover	threaded round cover
Cover fixing	flamepath thread
Cover seal	none, O-ring for IP66/67
Flamepath grease	petroleum jelly
Degree of protection	IP65 , Enclosure IP66 (IP66/67 with O-ring)
Cable entry	face B
Cable entry face B	
M25 quantity	2
M25 type	NPT 3/4"
M25 info	as standard, other on request
Material	
Enclosure	aluminum alloy
Finish	epoxy coated RAL 7005 (grey)
O-Ring	silicone
Mass	approx. 25 kg
Dimensions	values might differ slightly due to casting and manufacturing tolerances
External dimension (A)	360 mm
External dimension (B)	360 mm
External dimension (C)	245 mm
Mounting holes distance (G)	395 mm
Mounting holes distance (H)	318 mm
Mounting holes diameter (J)	10 mm
Number of mounting brackets	4
Maximum external dimension (K)	430 mm
Maximum external dimension (K1)	510 mm
Grounding	M6 external grounding points

### Ambient conditions

## Technical Data

Ambient temperature	-20 ... 40 °C (-4 ... 104 °F)
<b>Data for application in connection with hazardous areas</b>	
EU-type examination certificate	INERIS 14 ATEX 0035X
Marking	Ⓜ II 2 GD Ex db [ia Ga] IIC T6 Gb, II 2 GD Ex tb [iaD] IIIC T85°C Db
<b>Conformity</b>	
Degree of protection	EN 60529
CE marking	0080 or 0102, see type label
<b>General information</b>	
Ordering information	This solution will be delivered completely configured and assembled ready for use. For configuration details please contact Customer Service.
Supplementary information	EC-Type Examination Certificate, Statement of Conformity, Declaration of Conformity, Attestation of Conformity and instructions have to be observed where applicable. For information see <a href="http://www.pepperl-fuchs.com">www.pepperl-fuchs.com</a> .