

Multiturn absolute rotary encoder

PVM78E



- Up to 30 Bit multiturn
- ATEX approval
- IECEx approval
- Flameproof enclosure
- Removable connection cap



Function

This series of PROFIBUS rotary encoders is based on the modern fast technology of singleturn sampling and the mechanical gear box of the multiturn unit. The absolute encoder corresponds to the PROFIBUS profile for encoders, order no. 3.062. Operation is supported based on Class 1 and Class 2.

For operation based on Class 1, position data and diagnostic data bytes 1 ... 16 are available. In addition, the direction of the code can be selected as either cw ascending (clockwise rotation, code course ascending) or cw descending (clockwise rotation, code course descending).

If the rotary encoder is operated according to Class 2, additional functions to those from Class 1 are available. These include scaling of the resolution per revolution and the overall resolution, as well as the preset function. In addition, expanded diagnostic reporting is supported.

Besides, the rotary encoder offers extended functionalities such as speed transfer, extended scaling functions, programmable limit switches and a commissioning mode.

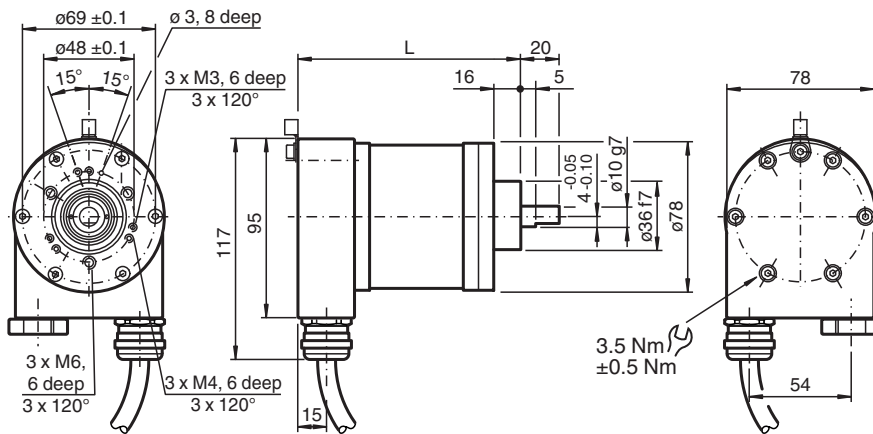
The removable connecting hood contains a slide switch for setting the terminating resistor and the rotary switches for setting the address. Assign a fixed address and bus termination to the encoder with this switches.

The device is designed for shaft mounting and is available in servo flange or clamping flange design.

Dimensions

Encoder length L

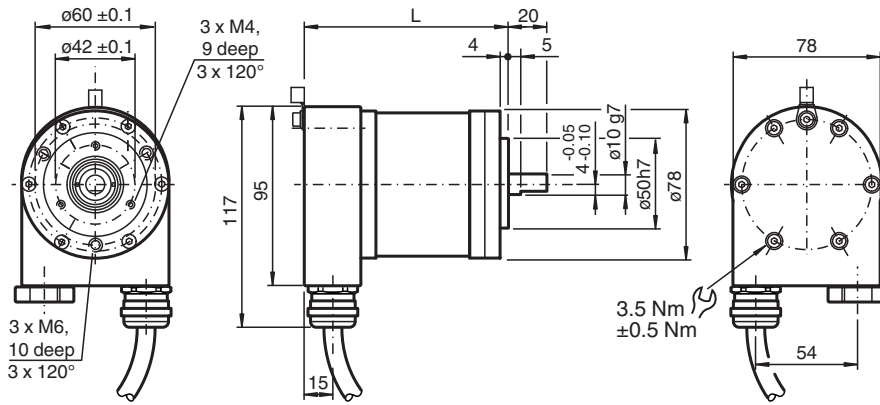
Version		Length L
Radial cable exit	Clamping flange	109 mm
	Servo flange	109 mm
Axial cable exit	Clamping flange	125 mm
	Servo flange	125 mm



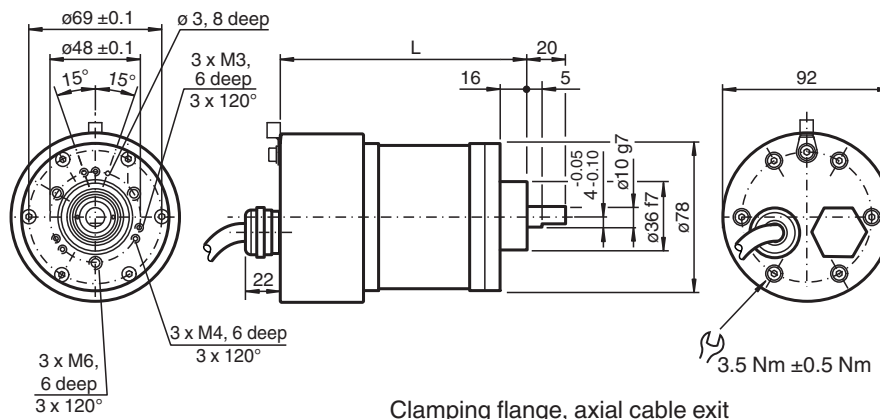
Clamping flange, cable exit radial

Release date: 2024-10-28 Date of issue: 2024-10-28 Filename: t159670_eng.pdf

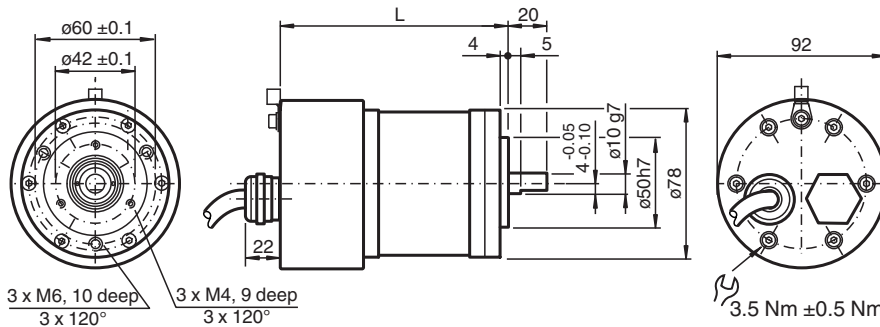
Dimensions



Servo flange, radial cable exit

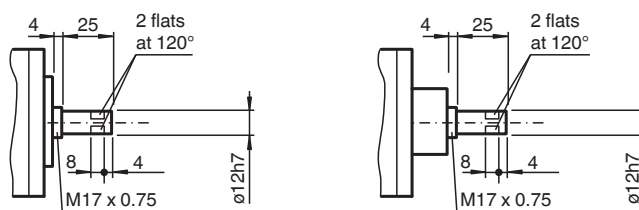


Clamping flange, axial cable exit



Servo flange, axial cable exit

Shaft 12 mm



Release date: 2024-10-28 Date of issue: 2024-10-28 Filename: t159670_eng.pdf

Technical Data

General specifications

Technical Data

Detection type	photoelectric sampling	
Device type	Multiturn absolute rotary encoder	
Functional safety related parameters		
MTTF _d	210 a	
L ₁₀	7.7 E+9 at 3000 rpm	
Electrical specifications		
Operating voltage	U _B	10 ... 30 V DC
No-load supply current	I ₀	max. 230 mA at 10 V DC max. 100 mA at 24 V DC
Time delay before availability	t _v	< 1000 ms
Linearity	± 2 LSB at 16 Bit, ± 1 LSB at 13 Bit, ± 0,5 LSB at 12 Bit	
Output code	binary code	
Code course (counting direction)	programmable, cw ascending (clockwise rotation, code course ascending) cw descending (clockwise rotation, code course descending)	
Interface		
Interface type	PROFIBUS DP	
Resolution		
Single turn	up to 16 Bit	
Multiturn	up to 14 Bit	
Overall resolution	up to 30 Bit	
Transfer rate	0.0096 ... 12 MBit/s	
Standard conformity	PNO profile 3.062, RS-485	
Connection		
Cable	Ø9.6 mm, 7-core	
Terminal compartment	see ordering information	
Standard conformity		
Degree of protection	DIN EN 60529, IP66	
Climatic testing	DIN EN 60068-2-78 , no moisture condensation	
Emitted interference	EN 61000-6-4:2007/A1:2011	
Noise immunity	EN 61000-6-2:2005	
Shock resistance	DIN EN 60068-2-27, 100 g, 3 ms	
Vibration resistance	DIN EN 60068-2-6, 10 g, 10 ... 2000 Hz	
Approvals and certificates		
IECEX approval		
Equipment protection level Gb	IECEX ITS 15.0061X	
ATEX approval		
Equipment protection level Gb	ITS 15 ATEX 18372X	
Ambient conditions		
Operating temperature	-40 ... 70 °C (-40 ... 158 °F)	
Storage temperature	-40 ... 85 °C (-40 ... 185 °F)	
Mechanical specifications		
Material		
Combination 1	housing: anodized aluminum flange: anodized aluminum shaft: Stainless steel 1.4404 / AISI 316L	
Combination 2 (Inox)	housing: Stainless steel 1.4404 / AISI 316L flange: Stainless steel 1.4404 / AISI 316L shaft: Stainless steel 1.4404 / AISI 316L	
Mass	approx. 2600 g (combination 1) approx. 3900 g (combination 2)	
Rotational speed	max. 3000 min ⁻¹	
Moment of inertia	180 gcm ²	
Starting torque	≤ 4 Ncm	
Shaft load		
Axial	60 N	

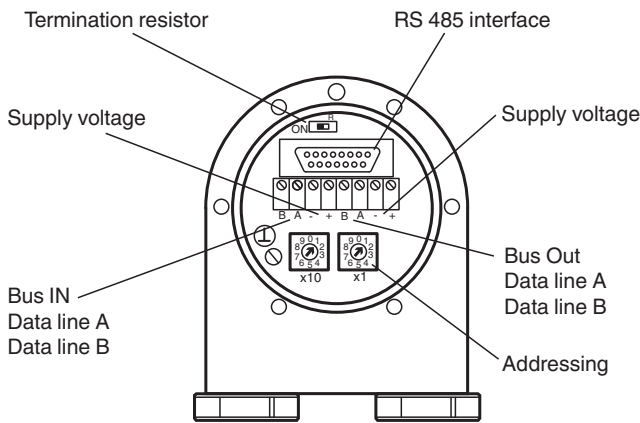
Technical Data

Radial	80 N
General information	
Use in the hazardous area	see instruction manuals

Connection

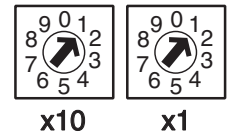
Signal	Terminal	Cable Ø9.6 mm, 7-core	Description
GND encoder	-	1	- Supply voltage
U _S encoder	+	2	+ Supply voltage
RxD/TxD-P	B	3	Data wire B (pair 1), bus in
RxD/TxD-N	A	4	Data wire A (pair 1), bus in
RxD/TxD-P	B	5	Data wire B (pair 2), bus out
RxD/TxD-N	A	6	Data wire A (pair 2), bus out
potential earth	⊥	GN/YE	

Configuration



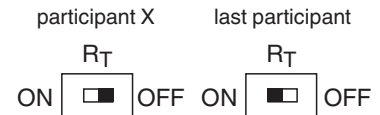
Adjusting the participant address

The participant address can be adjusted with the rotary switches. The address can be defined between 1 and 99, and may only be assigned once.



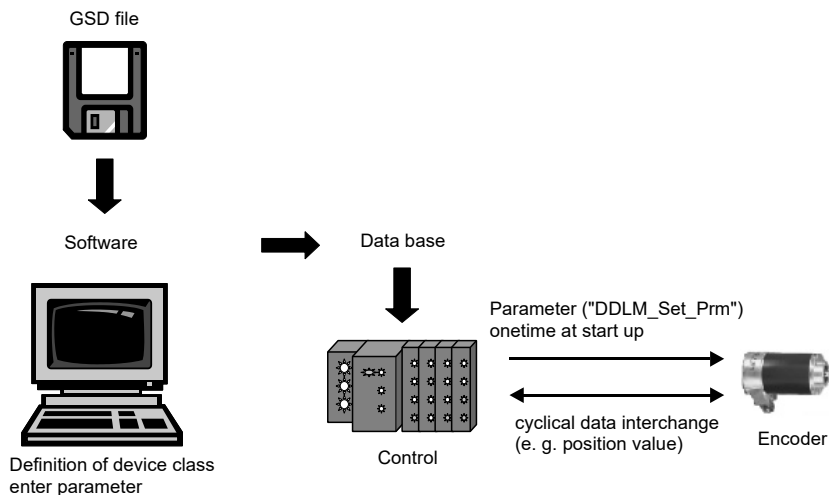
Adjusting the termination resistor

The terminating resistor R_T (220 Ω) can be connected to the circuit by means of the switch:



Function Principle

Principle of data transmission



Release date: 2024-10-28 Date of issue: 2024-10-28 Filename: t1159670_eng.pdf

Parameterization

Parameter table encoder classes P+F 2.1 and P+F 2.2

Octet number (Byte)	Parameter	Bit number
1...8	PROFIBUS standard parameters	
9	Direction of rotation	0
	Class 2 functionality	1
	Commissioning Diagnostics	2
	Scaling function	3
	Reserved	4
	Reserved	5
	Activate manufacturer specific parameters (Octet 26)	6
	Reserved	7
10 ... 13	Desired measuring steps (reference: Octet 26, Bit 0 and 1)	
14 ... 17	Overall resolution	
18 ... 25	Reserved	
26	Reference for desired measuring steps	0
		1
	Activate commissioning mode	2
	Reduced diagnosis	3
	Reserved	4
	Activate lower software limit switch	5
	Activate upper software limit switch	6
	Activation of the parameters from Octet 27	7
27 ... 30	Lower limit switch	
31 ... 34	Upper limit switch	
35 ... 38	Physical measuring steps	
39	Reserved	0
	Rotary encoder type (singleturn or multiturn)	1
	Reserved	2
	Reserved	3
	Selection of the unit for speed transfer	4
		5
	Reserved	6
	Reserved	7

Type Code

Ordering information



<p>Functional principle M Multiturn</p> <p>Shaft version V Solid shaft</p> <p>Data format P PROFIBUS</p>	<p>Option 1 E Explosion-proof, standard IP66</p>	<p>Shaft dimension 01 Shaft Ø10 mm x 20 mm 02 Shaft Ø12 mm x 25 mm</p>	<p>Flange version 1 Clamping flange 2 Servo flange</p>	<p>Connection type K2 Cable, 7-wire, 2 m K5 Cable, 7-wire, 5 m DR Terminal compartment, 2 cable glands KR Terminal compartment, 1 cable gland, 1 stopping plug</p>	<p>Exit position A Axial R Radial</p>	<p>Option 0 None</p>	<p>Output code B Binary</p>	<p>Housing material N Aluminum I INOX 1.4404 (AISI 316L)</p>	<p>Number of multiturn bits 12 4096 14 16384</p>	<p>Number of singleturn bits 12 4096 13 8192 16 65536</p>
---	---	---	---	---	--	---------------------------------	--	---	---	--

Installation

Anti-interference measures

The use of highly sophisticated microelectronics requires a consistently implemented anti-interference and wiring concept. This becomes all the more important the more compact the constructions are and the higher the demands are on the performance of modern machines.

The following installation instructions and proposals apply for "normal industrial environments". There is no ideal solution for all interfering environments.

When the following measures are applied, the encoder should be in perfect working order:

- Termination of the serial line with a 120 Ω resistor (between Receive/Transmit and Receive/Transmit) at the beginning and end of the serial line (e. g. the control and the last encoder).
- The wiring of the encoder should be laid at a large distance to energy lines which could cause interferences.
- Cable cross-section of the screen at least 4 mm².
- Cable cross-section at least 0,14 mm².
- The wiring of the screen and 0 V should be arranged radially, if and when possible.
- Do not kink or jam the cables.
- Adhere to the minimum bending radius as given in the data sheet and avoid tensile as well as shearing load.

Release date: 2024-10-28 Date of issue: 2024-10-28 Filename: t159670_eng.pdf

Operating instructions

Every encoder manufactured by Pepperl+Fuchs leaves the factory in a perfect condition. In order to ensure this quality as well as a faultless operation, the following specifications have to be taken into consideration:

- Avoid any impact on the housing and in particular on the encoder shaft as well as the axial and radial overload of the encoder shaft.
- The accuracy and service life of the encoder is guaranteed only, if a suitable coupling is used.
- The operating voltage for the encoder and the follow-up device (e. g. control) has to be switched on and off simultaneously.
- Any wiring work has to be carried out with the system in a dead condition.
- The maximum operating voltages must not be exceeded. The devices have to be operated at extra-low safety voltage.

Notes on connecting the electric screening

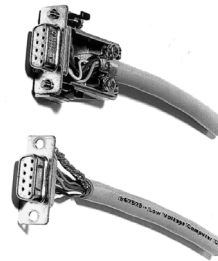
The immunity to interference of a plant depends on the correct screening. In this field installation faults occur frequently. Often the screen is applied to one side only, and is then soldered to the earthing terminal with a wire, which is a valid procedure in LF engineering. However, in case of EMC the rules of HF engineering apply.

One basic goal in HF engineering is to pass the HF energy to earth at an impedance as low as possible as otherwise energy would discharge into the cable. A low impedance is achieved by a large-surface connection to metal surfaces.

The following instructions have to be observed:

- Apply the screen on both sides to a "common earth" in a large surface, if there is no risk of equipotential currents.
- The screen has to be passed behind the insulation and has to be clamped on a large surface below the tension relief.
- In case of cable connections to screw-type terminals, the tension relief has to be connected to an earthed surface.
- If plugs are used, metallised plugs only should be fitted (such as sub D plugs with metallised housing). Please observe the direct connection of the tension relief to the housing.

Advantage:	metallised connector,
shield	clamped with the strain
relief	clamp
Disadvantage:	soldering shield on



Safety instructions

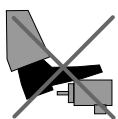
Please observe the national safety and accident prevention regulations as well as the subsequent safety instructions in these operating instructions when working on encoders.

If failures cannot be remedied, the device has to be shut down and has to be secured against accidental operation.

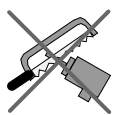
Repairs may be carried out only by the manufacturer. Entry into and modifications of the device are not permissible.

Tighten the clamping ring only, if a shaft has been fitted in the area of the clamping ring (hollow shaft encoders).

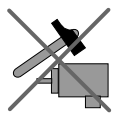
Tighten all screws and plug connectors prior to operating the encoder.



Do not stand on the encoder!



Do not remachine the drive shaft!



Avoid impact!



Do not remachine the housing!

Release date: 2024-10-28 Date of issue: 2024-10-28 Filename: t159670_eng.pdf