



Solutions Ex d IIB or CID1 / CIID1 based on Aluminum Enclosures

EJB*

- Copper-free aluminum enclosure
- Suitable for operation in Zone 1, Zone 2, Zone 21 and Zone 22
- Suitable for operation in Class I, II Division 1
- Ex d and Ex tb certified
- Gas group IIB+H₂
- Degree of protection IP66 or IP66 / IP67, NEMA Type 4X
- Various enclosure size and design variants
- Customizable configuration of operators, cable entry quantities and cable gland types as per specification
- Integration of electrical components and operating elements as per customer specification
- Choice of viewing windows for monitoring instruments

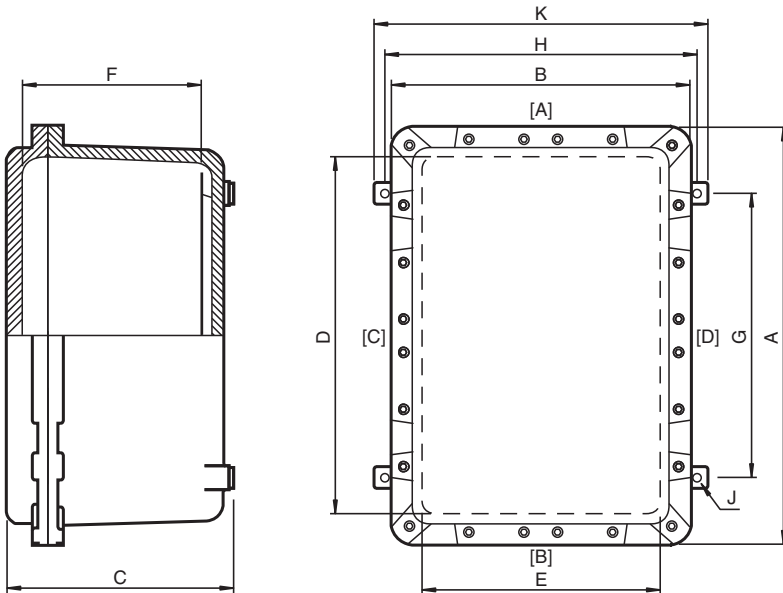
Solutions Ex d IIB or CID1 / CIID1 based on Aluminum Enclosures



Function

The enclosure series EJB forms the optimal basis for the application-specific configuration of terminal boxes, control stations as well as control and distribution panels. The enclosures are certified Ex d IIB+H₂ and Ex tb as well as "explosion-proof". They are available in many sizes, a wide range of operating elements and monitoring functions can be integrated. They are manufactured from copper-free aluminum with increased corrosion resistance. This durability as well as the flexible customization options cover the requirements of many industries including offshore and marine applications. A choice of windows allows viewing of integrated monitoring functions. Electrical components can be integrated as per customer specification.

Dimensions



Dimension values see data table.
 Real values might differ slightly due to manufacturing tolerances.
 Dimensions are valid for standard enclosures and IP66 variants only.
 Image and drawing are generic for this device type and may deviate from the specific variant.

Legend	
A	Height
B	Width
C	Depth
D	Internal height

Release date: 2025-05-14 Date of issue: 2025-05-14 Filename: t164865_eng.pdf

Legend	
E	Internal width
F	Internal depth to surface mounting plate
G	Mounting holes distance, vertical
H	Mounting holes distance, horizontal
J	Mounting holes diameter
K	Maximum external dimension of mounting brackets
[A ... [D]	Cable entry faces

Dimensions and Enclosure Details

Type	External dimensions [mm]				Internal dimensions [mm]			Mounting [mm]			Mass [kg]	Cover screws		North American approval	Max. power dissipation at T4/+40 °C [W]
	A	B	C	K	D	E	F	G	H	J		Mx	qty.		
EJB0*	201	136	150	128	140	75	116	133	108	8	3.8	M6	6	X	51
EJB2A*	223	223	170	226	162	162	128	157	206	8	6.4	M6	8	-	104
EJB4A*	265	225	182	226	200	160	139	188	206	8	8.5	M8	10	X	125
EJB6A*	332	232	172	216	250	150	133	230	196	8	9.8	M8	10	-	139
EJB8*	390	290	182	270	300	200	131	282	250	10	15.7	M8	14	-	192
EJB8A*	390	290	204	270	300	200	152	282	250	10	16.6	M8	14	X	211
EJB8B*	390	290	237	270	300	200	186	282	250	10	17.9	M8	14	X	236
EJB9A*	412	242	188	226	330	160	139	312	206	8	14.2	M8	14	-	185
EJB9B*	412	242	260	226	330	160	211	312	206	8	16.8	M8	14	-	238
EJB10A*	468	358	215	350	370	260	165	345	320	10	25.1	M8	16	X	305
EJB10B*	468	358	265	350	370	260	215	345	320	10	28.7	M8	16	X	353
EJB11A*	514	434	231	415	400	320	171	363	385	10	32	M10	22	X	383
EJB11B*	514	434	277	415	400	320	217	363	385	10	37	M10	22	X	432
EJB15*	602	452	236	460	500	350	172	460	430	12	40.8	M10	20	-	481
EJB15A*	602	452	288	460	500	350	219	460	430	12	52	M10	20	X	540
EJB17*	676	503	264	494	570	397	195	538	464	12	56	M10	22	-	745
EJB17A*	676	503	384	494	570	397	317	538	464	12	67	M10	22	-	746
EJB17Q*	630	630	368	613	500	500	278	453	583	14	94	M12	24	X	593
EJB18A*	751	538	303	535	640	427	213	509	505	14	85	M12	24	X	707
EJB18B*	751	538	408	535	640	427	318	509	505	14	100	M12	24	X	864
EJB20*	937	687	353	670	805	555	247	668	630	14	167	M16	32	-	1616
EJB20A*	937	687	499	670	805	555	393	668	630	14	195	M16	32	-	1616

Mass is valid for empty enclosure, it will increase according to integrated components and cable glands

Technical Data

Electrical specifications

Operating voltage	1500 V DC / 1000 V AC max. for ATEX / IECEx 600 V AC / DC max. for North American approvals
Operating current	1600 A max.

Mechanical specifications

Thread type	metric ISO pitch 1.5 mm or NPT ANSI ASME B1.20.1
Enclosure cover	detachable , optional hinges
Cover fixing	stainless steel socket cap head screws
Screws	see data table
Material of screws	stainless steel
Yield stress	min. 450 N/mm ² for ATEX / IECEx , 100,000 PSI for North American approvals
Cover seal	none, O-ring for IP66/67
Flamepath grease	Greasil MS4 or NEVER SEEZ Marine Grade
Degree of protection	IP66 (IP66/IP67 with O-ring) , NEMA Type 4, 4X, 7, 9
Cable entry	see data table
Material	
Enclosure	aluminum alloy
Glass	thermo-resistant tempered glass
Finish	epoxy coated RAL 7005 (grey)
O-Ring	silicone
Mass	see data table valid for empty enclosure, will increase according to integrated components

Technical Data

Dimensions	see data table values might differ slightly due to casting and manufacturing tolerances dimensions are valid for standard enclosures and IP66 variants only
Mounting	see data table
Grounding	M6 external grounding points
Ambient conditions	
Ambient temperature	-60 ... 60 °C (-76 ... 140 °F) depending on integrated components
Data for application in connection with hazardous areas	
EU-type examination certificate	INERIS 14 ATEX 0022X INERIS 14 ATEX 9010U
Marking	⊕ II 2 GD Ex db IIB+H ₂ T* Gb Ex tb IIIC T** °C Db T6/T85 °C T5/T100 °C T4/T135 °C T3/T200 °C depending on configuration, ambient temperature and built-in power loss
Maximum power dissipation	see data table maximum power dissipation at T4/+40 °C enclosure without window
International approvals	
UL approval	
Approved for	Class I, Division 1, Groups B, C, D Class II, Division 1, Groups E, F, G Type 4, 4X, 7, 9
cULus	Empty enclosure E482035 , UL 50E , UL 1203 , CSA C22.2, No. 25, 30
cETLus	Control panels E5003368
Ambient temperature	-25 ... 60 °C (-13 ... 140 °F)
IECEX approval	IECEX INE 14.0029X IECEX INE 14.0028U
UKCA approval	CML 21 UKEX 1424X CML 21 UKEX 1425U
ECAS approval	23-10-87483/E23-09-089610
CCC approval	2020322303002546
Further approvals	available on request
Conformity	
Degree of protection	EN60529 and UL 50 / UL 50E
CE marking	0080 or 0102, see type label
General information	
Ordering information	This solution will be delivered completely configured and assembled ready for use. For configuration details please contact Customer Service.
Supplementary information	EC-Type Examination Certificate, Statement of Conformity, Declaration of Conformity, Attestation of Conformity and instructions have to be observed where applicable. For information see www.pepperl-fuchs.com .

Type Code

1	2	3	4	5	6	7	8
EJB	*	**	.	**	.	*	..
EJB		17Q	.	W1	.	D	..

Example: EJB17Q.W1.D.CP-Y0001

Control panel EJB size 17Q in aluminum, rectangular window type 1, without intrinsically safe circuits

1	Enclosure type
EJB	enclosure Ex d IIB+H ₂
2	Material
	copper-free aluminum
3	Enclosure size
0 ... 20A	see dimensions data table

Type Code

4	Window
	no window
W ...	rectangular window with type indication
WG ...	circular window with type indication
5	Electrical circuits
D	without intrinsically safe circuits
I	intrinsically safe circuits integrated
6	Type of application
U	empty enclosure
T	terminal box ATEX / IECEx
TD1	terminal box UL Class 1, Division 1 / Class 2, Division 1
CP	control panel ATEX / IECEx
CPD1	control panel UL Class 1, Division 1 / Class 2, Division 1
CS	control station ATEX / IECEx
CSD1	control station UL Class 1, Division 1 / Class 2, Division 1
DB	distribution board
DMT	electronic earthing system
MS	motor starter
PS	power switching
RIO	remote I/O field unit
IFS	interface solution
FJB	fieldbus solution
OS	optical solution
Q40	engineered solution per customer specification (Q40)
7	Variant
S	standard product
C	configured Product
Y	engineered Product
8	Variant number
xxxx	consecutive number